



## About Us

Enclosure Solutions, Inc. is a sales and marketing company focused on bringing high-quality, high-value non-metallic electrical enclosures, custom non-metallic enclosures, engineered thermoplastic custom shapes and structures, as well as a selection of value-adding accessories to the industrial and OEM marketplace.

We work closely with our manufacturing partners and our customers to develop products that are the best in the industry, each with features and benefits that bring real value and the greatest opportunity for our customers to meet their objectives and fulfill their technical, aesthetic, and competitive requirements.

The cornerstone of our product line is our *PolyGuard Series* of polycarbonate, injection-molded electrical enclosures. These UL listed Type 4X/12/6P enclosures represent the latest thinking in non-metallic enclosure design. Available in nine basic sizes, *PolyGuard* re-defines excellence in polycarbonate enclosures.

Our unique ability to fabricate enclosures out of sheet thermoplastic materials is the basis for our *Universal Series*, as well as our Large PVC Junction Boxes, Hinged Window Kits, and TrueCustom Series of products. Our Universal Series enclosures range in size from 18"x16"x10" up through 60"x36"x16", as well as any custom size. We see the ability to provide non-metallic NEMA 4X enclosures in custom sizes as a real breakthrough in the enclosure market.

Using this same technology, we are building Hinged Window Kits, Wiring Trough, Wireway, Flush-Cover Junction Boxes for concrete applications, and custom cabinets. Just call us to discuss your application. We can provide custom non-metallic enclosures faster than many of our competitors can provide a quote!

We believe in treating all of our customers with fairness and respect, as they are the lifeblood of our business. Our goal is to grow a business that fosters mutual loyalty and mutual profitability over the long term.

Our office is in Willoughby Hills, Ohio. Our manufacturing partners are right here in Ohio. We work through a network of professional sale agencies arrayed across the country. You can find a list of our agents on our website, [www.enclosure-solutions.com](http://www.enclosure-solutions.com)

Thanks, we look forward to working with you. Please contact us if you have any questions at all.

*Todd Imbler*

Enclosure Solutions, Inc.  
35000 Chardon Road Suite 140  
Willoughby Hills, Ohio 44094  
1-800-475-8308  
[www.enclosure-solutions.com](http://www.enclosure-solutions.com)



## **Catalog Index**

PolyGuard Series	1
Small Junction Boxes	8
Non-Metallic Cable Glands	9
PVC Junction Boxes	10
Wireless Fire Repeater Enclosures	12
Yagi Antenna Enclosures	16
Universal Series PVC Enclosures	17
TrueCustom Enclosures and Shapes	18
PVC Mounting Foot System	20
Window and Door Kits	21
PVC Wiring Trough	23
PVC WireWay Systems	24
Recessed Cover Junction Boxes	25
Environmental Ratings	26
Engineering Properties	27
Chemical Resistance of Materials	28
Product Drawings	App 1
List Price Sheet	App 2

### Ordering Information:

1. Call your local agent of ESI direct for price and availability information
2. The ESI Credit Application is available from an agent or off the website, [www.enclosure-solutions.com/commercial](http://www.enclosure-solutions.com/commercial)
3. Send orders to our FAX number (1-877-761-0961) or e-mail to [support@enclosure-solutions.com](mailto:support@enclosure-solutions.com)

## **"PolyGuard" Polycarbonate Enclosures**

*UL-Listed Type 4X, 12, 6P, and 13*

*File No. E226322*

Enclosure Solutions, Inc. re-sets the bar for functionality aesthetics, service, design and value with the "PolyGuard" Series of polycarbonate enclosures.

Available in nine fundamental sizes ranging from 6"x4"x3.5" through 16"x14"x7", these enclosures are designed to protect your components and systems in the most difficult environments.



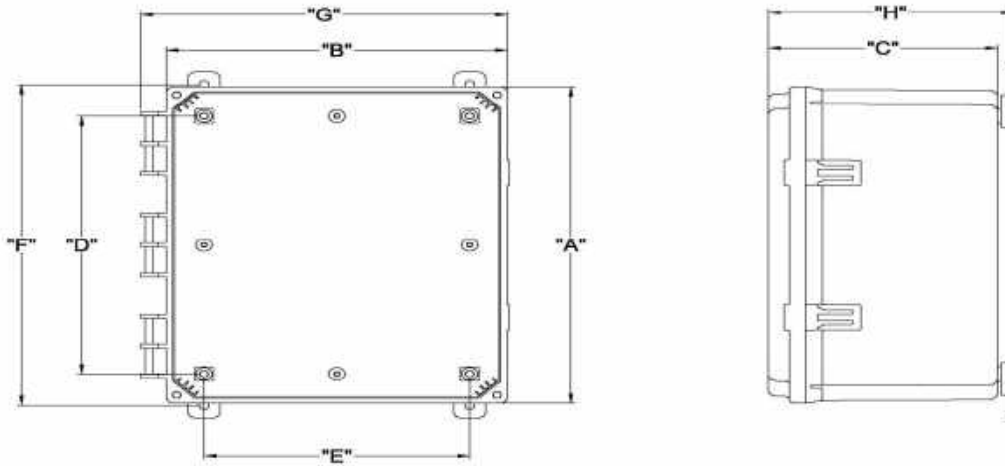
### **Features & Benefits:**

- Durable polycarbonate construction is light, easy to machine, extremely impact resistant
- UL Listed for submersible applications (UL Types 6/6P), using up to 3" conduit hubs
- UL 1741 Compliant for Solar Applications
- Available in external hinge construction as well as junction box construction
- External hinge design is easy to snap on and off, streamlining production or easing cover replacement
- Flat Covers and Side Walls make component and label installation easy
- Stainless Steel Slide-On Latching attaches latches firmly, without leaky rivets or bolts
- Four #10-32 inserts are provided on standard centers for subpanel installation
- Unique panel suspension system allow easy mounting of dead fronts, swing panels and stacked panels
- Independantly orientable mounting feet or optional mounting flanges ease installation
- Closed Cell fit-in-place gasket is durable, seals tight, and is easy to replace if necessary
- Modification services (holes, color, screen printing) are available
- Our clear covers are 100% clear...no "gate marks" to obstruct your components in our design
- PolyGuard is molded in our own plant in Ohio for maximum quality control
- **Note that all enclosures include mounting feet or flange, base, and cover**

### **Applications:**

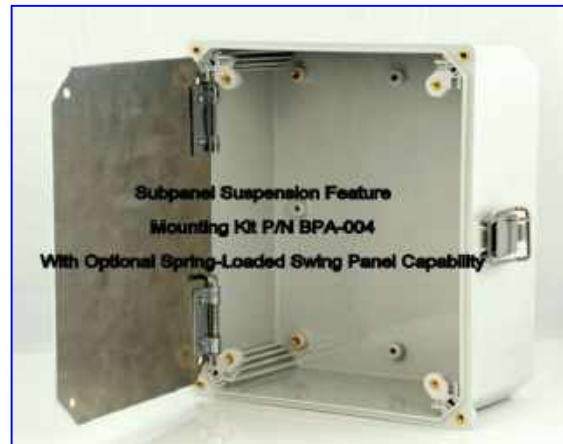
- Industrial Control Panels
- Pump controls/Water Treatment
- Instrumentation and Contols
- Solar/Wind/Geothermal Controls
- RF Controls/Systems
- Irrigation and Water Control
- Marine and High-Corrosion Applications
- Applications where minimum weight and maximum impact resistance is important



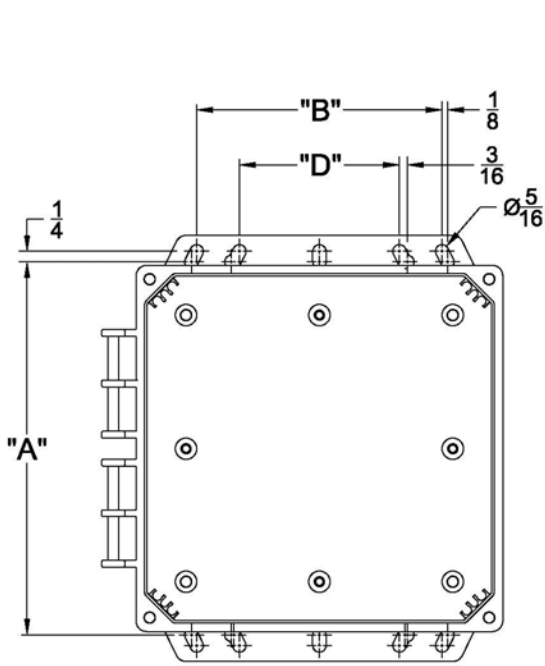


## Enclosure Dimensions

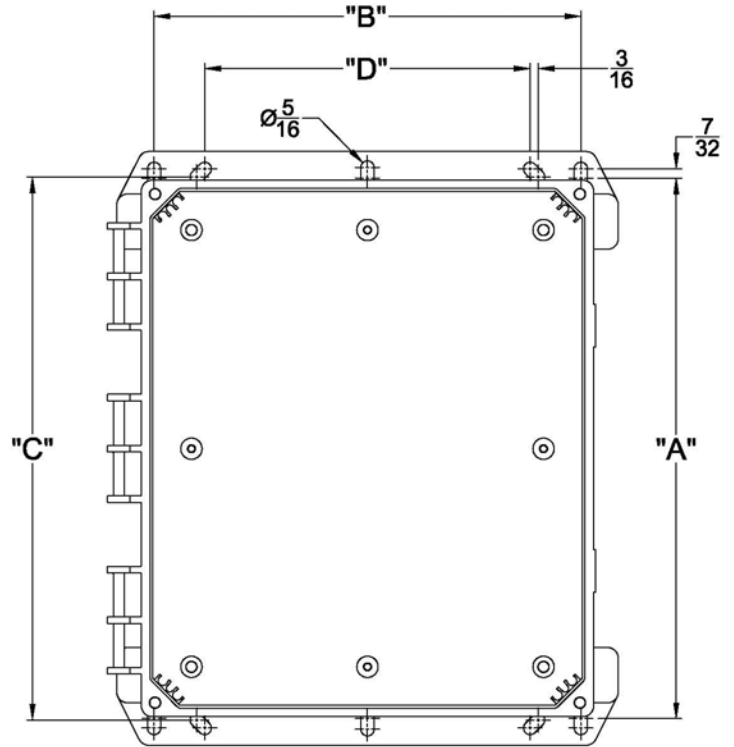
Enclosure Size	Dim "A"	Dim "B"	Dim "C"	Dim "D"	Dim "E"	Dim "F"	Dim "G"	Dim "H"
6"x4"x3.5"*	6.59	4.59	4.22	4.25	2.25	7.13	2.13	4.22
6"x6"x4"	6.59	6.59	5.06	4.25	4.25	6.75	7.39	5.5
8"x6"x4"*	8.59	6.59	5.06	6.25	4.25	8.75	7.39	5.5
8"x8"x4"	8.59	8.59	5.06	6.25	6.25	8.75	9.39	5.5
10"x8"x4"	10.59	8.59	5.06	8.25	6.25	10.75	9.39	5.5
10"x8"x6"	10.59	8.59	7.13	8.25	6.25	10.75	9.39	7.44
12"x10"x6"	12.59	10.59	7.13	10.25	8.25	12.75	11.39	7.44
14"x12"x6"	14.59	12.59	7.13	12.25	10.25	14.75	13.39	7.44
16"x14"x7"	16.59	14.59	8.25	14.25	12.25	16.75	15.39	8.52



## ENCLOSURE DIMENSIONS w/MOUNTING BARS



**Figure 1**

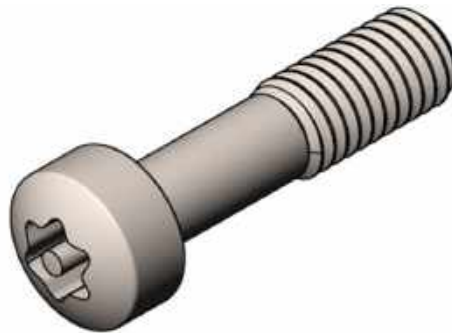


**Figure 2**

Enclosure Size	Dim "A"	Dim "B"	Dim "C"	Dim "D"	Figure
6" x 6" x 4"	6.75	5.75	NA	3.75	1
8" x 6" x 4"	8.75	5.75	NA	3.75	1
8" x 8" x 4"	8.75	5.75	NA	3.75	1
10" x 8" x 4"	10.75	5.75	NA	3.75	1
10" x 8" x 6"	10.75	5.75	NA	3.75	1
12" x 10" x 6"	12.69	10.00	12.75	7.625	2
14" x 12" x 6"	14.69	10.00	14.75	7.625	2
16" x 14" x 7"	16.75	12.25	16.95	10.25	2

## **Security Screw Kits**

Now available for our *PolyGuard Series* enclosures are custom tamper-resistant screws. Manufactured in the same grade stainless steel as our standard phillips-head screw, these fillister-head captive screws increase the level of security for your enclosure-based systems. In many applications, using a closure system that requires a special tool helps meet OSHA requirements.



The security screw kit includes 20 pcs - #10-32 x .75" Hex Head Screws. This allows you to use these on either our Hinge/Screw Close versions (-HOSF or -HCSF) or our Junction Box versions (-JOSF or -JCSF). And, like with all our *PolyGuard Series* enclosures, use all four screws for a UL-Type 6P enclosure.

### Ordering Information

Part Number:	SSK-20
Unit of Measure:	1 Kit
Weight:	0.20#
Drive Type:	T25
List Price:	\$42.85/Kit

## ***PolyGuard Series Manufacturing***

The PolyGuard Series of enclosures is manufactured in Ashland, Ohio by Hedstrom Injection, a partner company of Enclosure Solutions, Inc. This gives us a measure of control over both quality and scheduling superior to other brands that outsource their molding operations.

Hedstrom Injection uses eight brand new presses, ranging in tonnage from 101 to 787 tons, to mold all of the products in the PolyGuard Series. There is plenty of capacity to meet the highest demand of our customers.

Also, through Hedstrom Injection, we are able to design, tool, and manufacture custom enclosures or other custom molding projects to your exact specifications. Contact us for more information.



## ***PolyGuard Series Swing Panel Kit (P/N HTK-02)***

Now available exclusively for our *PolyGuard*™ *Series* polycarbonate electrical enclosure is a new Swing Panel Kit. This kit snaps in to our Panel Suspension Kit (P/N BPA-004) to allow subpanels to swing from any side of the enclosure. Simple and easy, just what you'd expect from Enclosure Solutions, Inc.



### ***Features & Benefits-***

- The kit includes two hinges, one is spring loaded for easy installation and removal
- The hinges are zinc-plated steel
- A grounding lug is built in for easy panel grounding
- Attach to your panel with rivets or screws
- No panel modifications or notching are needed to allow the panel to swing
- Fits in all sizes, swings from any direction

Contact your local agent or Enclosure Solutions, Inc. for more information.



## Installation Instructions

### P/N BP-004 Subpanel Suspension Kit

The BP-004 Kit is designed to support the installation of subpanels, hinge panels, or dead-fronts into the base of the PolyGuard Series enclosures.

Using this system, you can install multiple panels inside the enclosure, maximizing the space available for component installation.

The kit includes 4 (four) mounting pads, 4 (four) #8 Allen Screws, and 1 (one) #8 Allen Screw Wrench.

To install the mounting pads, slide the pad into the track found in the corners of the enclosure base. Slide the pad to the location desired. Insert the allen screw into the middle channel using the wrench provided, and screw the allen screw in until it is even with the mounting pad. This ensures full engagement.

An alternative method is to install the allen screw through the hole on the bottom of the mounting pad into the channel. This method is preferred for applications where the pad is set below the top surface of the enclosure base.

Tip: Use a drill motor to drive the allen wrench...it works a lot easier; that polycarbonate is tough material.



## ***PolyGuard Series Swing Panel Kit (SWPK-01)***

A great option for our *PolyGuard™ Series* polycarbonate electrical enclosure is the SWPK-01 Swing Panel Kit. This kit allows you to mount your standard subpanel into the enclosure without any need to modify your subpanel. It mounts on any side of the enclosure as well. Simple and easy, just what you'd expect from Enclosure Solutions.

### ***Features & Benefits-***

- The SWPK-01 kit includes two hinge components, two swing arm components, two BPA pads, four #10 set screws, #10 Allen Wrench, and 4 10-32 SS Pan Head Screws.
- Mount standard panels with no extra holes or modification required
- 100% non-metallic components
- Fits in all sizes, swings from any direction

Contact your local agent or Enclosure Solutions, Inc. for more information.



**Enclosure Solutions, Inc.**  
**1-800-475-8308**  
[www.enclosure-solutions.com](http://www.enclosure-solutions.com)

## Small Junction Boxes with Integral Flange Mount

UL Listed Type 4X, 6P, 12, and 13

Enclosure Solutions, Inc. expands its unique enclosure offering with these high-quality dual-design junction box/hinged enclosures.

Available in two sizes, these small boxes provide sure protection for your components in the most difficult conditions.



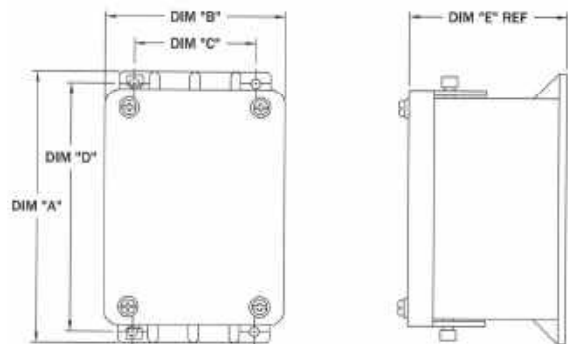
### Features & Benefits:

- Molded in glass-filled polypropylene for extreme chemical resistance
- Available in two sizes, 5"x3"x4" and 7"x5"x4"
- Internal threaded bosses for sub-panel mounting
- Unique cover hinges and lifts off with removeable hinging
- Integral mounting flange with fillets for strong, sure mounting
- UV rating is F1
- Flame Rating is 5VA
- Available with optional push-button holes
- Individually packaged



### Applications:

- Junction boxes in wet locations
- Control stations and pushbutton stations
- Pendant applications
- Pump and water treatment controls



Part

Number	Description	Dim A	Dim B	Dim C	Dim D	Dim E	Weight
JB35	5"x3"x4" Junction/Pull Box with liftoff cover/hinge	6.75	4.44	3	6.18	3.89	1.5
JB57	7"x5"x4" Junction/Pull Box with liftoff cover/hinge	8.72	5.89	4.31	8.25	4.69	2.5



## **JB Series Small Junction Boxes**

New to the Enclosure Solutions lineup are two new small junction boxes.

Available as a 4"x4"x2" and 4"x4"x4", these boxes are molded in tough polycarbonate resin and are fully gasketed.

These junction boxes are built to NEMA 4X/6P standards, but are UL not listed. They are perfect for indoor or outdoor applications to provide a degree of protection against contact with enclosed equipment, falling dirt, hose-directed water, or entry of water during submersion



Part Number	Height	Width	Depth	Weight	List Price
JB442	4"	4"	2"	0.3#	\$30.00
JB444	4"	4"	2"	0.4#	\$38.00

Enclosure Solutions, Inc.  
35000 Chardon Road Suite 140  
Willoughby Hills, Ohio 44094  
[www.enclosure-solutions.com](http://www.enclosure-solutions.com)  
1-800-475-8308

## Non-Metallic Cable Glands / IP-68 /UL-Listed

Manage cables through the walls of your enclosures with these high-quality, unique, non-metallic cord grips. Molded in nylon with EPDM seals, all of these products are rated "IP-68" and are RoHS compliant. Many also carry a UL listing.

Available in straight, 90 degree, single and multiple-hole designs, as well as in grey or black. Also, choose between NPT, PG, or Metric sizes/threads. All include the seal and locknut as well, eliminating the need to order separately.



### Features and Benefits

- \* Nylon PA 66 (UL 94V-2) with EPDM seals
- \* Standard in grey or black
- \* Working range from -40C to +100C
- \* RoHS Compliant
- \* All sizes are IP-68 (submersible)
- \* Multi-Hole configurations are available upon request
- \* **Other sizes and configurations are available, call!**
- \* All pricing includes seal and locknut
- \* **Please call for additional information**



### For NPT Mounting Holes

Nominal Size	Black	Grey	Cable Range (mm)	Thread O.D.	Panel Hole	Thread Length	Std. Pkg.	List Price
3/8"	NPA17-06B	NPA17-06B	4.0-7.0	17.055	17.2-17.4	15	50	\$2.13
3/8"	NPA17-10B	NPA17-10B	6.0-10.0	17.1	17.2-17.4	15	50	\$2.13
1/2"	NPA21-10B	NPA21-10G	6.0-11.0	21.3	21.4-21.7	15	50	\$2.33
1/2"	NPA21-14B	NPA21-14G	8.5-14.0	21.3	21.4-21.7	15	50	\$2.33
3/4"	NPA26-16B	NPA26-16G	10.0-16.0	26.6	26.8-27.1	15	50	\$3.34
3/4"	NPA26-18B	NPA26-18G	12.5-18.0	26.6	26.8-27.1	15	50	\$3.34
1"	FGB33-22B	FGB33-22G	16-22	33.5	33.5-33.8	17	10	\$5.21
1"	FGB33-25B	FGB33-25G	18-25	33.5	33.5-33.8	17	10	\$5.21
1 1/4"	NPB42-25B	NPB42-25G	20-25	42	42.3-42.7	17	10	\$7.08
1 1/4"	NPB42-30B	NPB42-30G	24-32	42	42.3-42.7	17	10	\$7.08

## *Non-Metallic NEMA 4X Junction Boxes*

---

*Medium-to-large sized junction boxes, fabricated in PVC Sheet, make protection of your wiring easier, faster, and safer.*

Typically, your only choice for medium-to-large junction boxes has been traditional steel boxes. Heavy to carry, prone to corrosion, difficult to cut, and easy to damage...but available. Now, you have a choice of rugged, durable, light, non-corrosive, watertight, PVC junction boxes. These junction boxes are fabricated using a state-of-the art, computer controlled process that features full penetration welding, just like steel boxes.



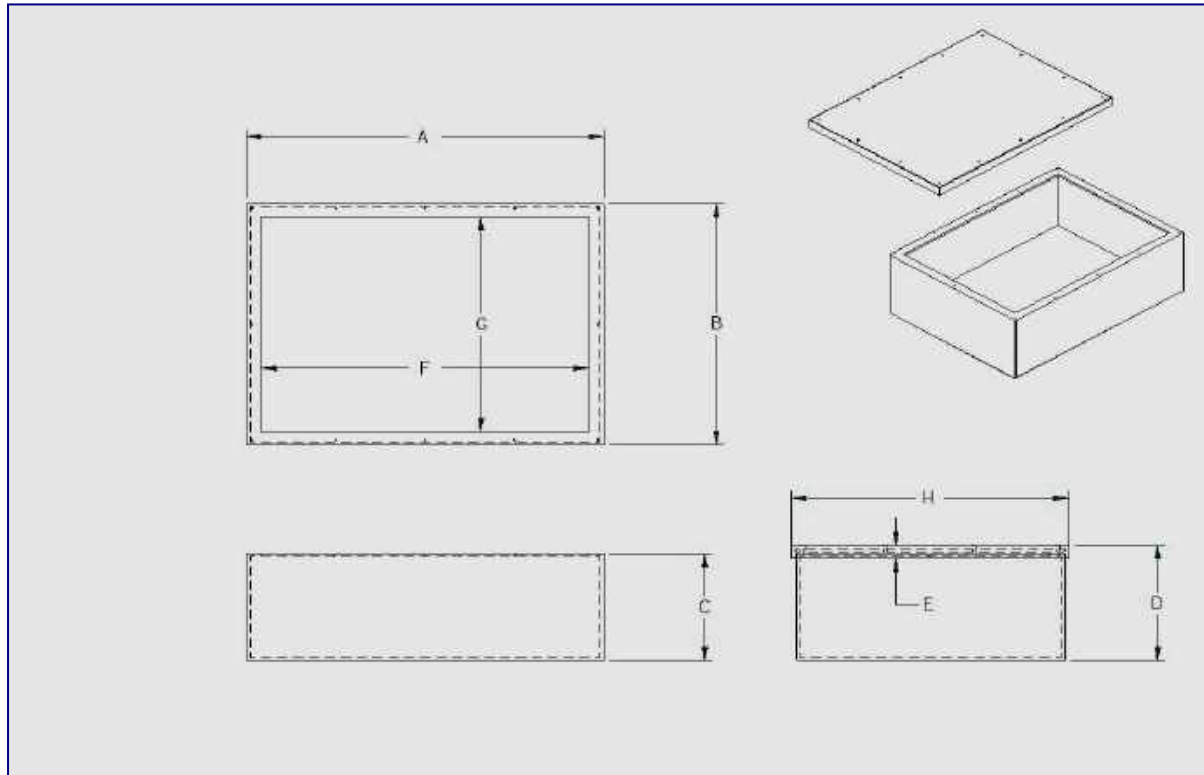
### *Features and Benefits*

- ✚ PVC material with "uni-body" construction technique, combined with full penetration, like-material welding produces a strong, durable enclosure.
- ✚ UL-94 V-O Flame Rating
- ✚ Suitable for exposure to heat up to 90 degrees C°, just like PVC conduit
- ✚ Use standard PVC solvent cement to attach fittings
- ✚ NEMA 4X construction
- ✚ Fully Gasketed Cover
- ✚ **Custom sizes available upon request**
- ✚ **Custom features such as windows, subpanels, or internal mounting bosses are available**
- ✚ The unique (optional) mounting feet system makes installation easy and adaptable
- ✚ These enclosures do not hold a UL listing, rather they meet or exceed NEMA 250 Standards

For more information, please contact your local agent, or contact us at:

Enclosure Solutions, Inc.  
1-800-475-8308/1-877-761-0961 (FAX)  
[www.enclosure-solutions.com](http://www.enclosure-solutions.com)

## *Non-Metallic NEMA 4X Junction Boxes*



Part Number	A	B	C	D	E	F	G	H	Weight	List Price
ES121208	12"	12"	8"	8.25"	1.00"	10.5"	10.5"	12.75"	8	\$338.10
ES181806	18"	18"	6"	6.25"	1.00"	16"	16"	18.75"	10	\$472.50
ES181812	18"	18"	12"	12.25"	1.00"	16"	16"	18.75"	16	\$501.90
ES201808	20"	18"	8"	8.25"	1.00"	18"	16"	18.75"	14	\$453.18
ES202008	20"	20"	8"	8.25"	1.00"	18"	18"	20.75"	15	\$515.55
ES241808	24"	18"	8"	8.25"	1.00"	22"	16"	18.75"	16	\$496.86
ES242008	24"	20"	8"	8.25"	1.00"	21.5"	17.5"	20.75"	18	\$535.08
ES242408	24"	24"	8"	8.25"	1.00"	21.5"	21.5"	24.75"	20	\$579.60
ES242410	24"	24"	10"	10.25"	1.00"	21.5"	21.5"	24.75"	22	\$631.05
EP242412	24"	24"	12"	12.25"	1.00"	21.5"	21.5"	24.74"	24	\$682.50
ES302408	30"	24"	8"	8.25"	1.00"	27.5"	21.5"	24.75"	24	\$756.00
ES303008	30"	30"	8"	8.25"	1.00"	27.5"	27.5"	30.75"	28	\$868.35
ES362408	36"	24"	8"	8.25"	1.00"	33.5"	21.5"	24.75"	28	\$819.00
ES363012	36"	30"	12"	12.25"	1.00"	33.5"	27.0"	30.75"	35	\$984.38
ES363636	36"	36"	36"	36.25"	1.50"	33.0"	33.0"	36.75"	100	CALL FOR \$
ES484848	48"	48"	48"	48.25"	1.50"	45.0"	45.0"	48.75"	140	CALL FOR \$

### Accessories

MFK-CM1	Mounting Feet (4 Feet & Fasteners)	5	\$36.75
---------	------------------------------------	---	---------

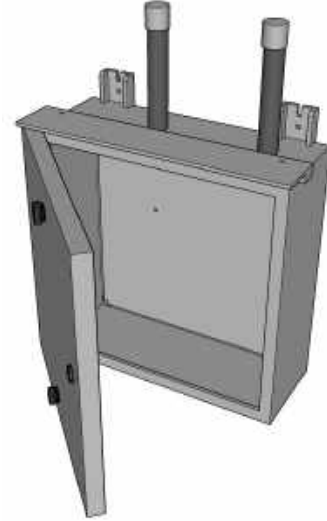
*Pricing Effective January 1, 2020*

*Any size is available, call for pricing*

## *Wireless Repeater Enclosures – NEMA 4X*

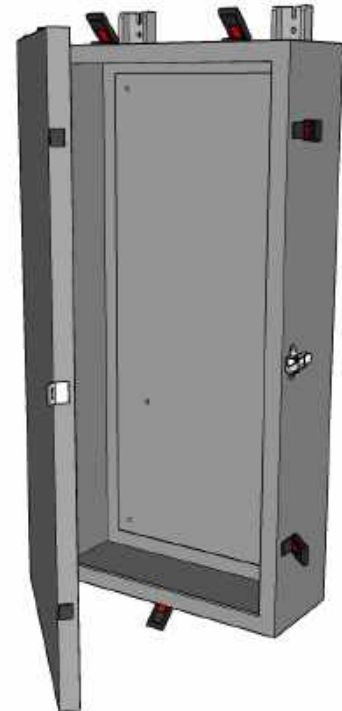
---

***Available from Enclosure Solutions, Inc. is a selection of enclosures designed specifically for the protection of wireless fire alarm systems. These enclosures deliver complete with a PVC subpanel fitted with studs for hanging a typical repeater box. Just hang and go!***



### *Features and Benefits*

- Protect your wireless fire alarm systems in an enclosure designed specifically for that application
- The PVC material is invisible to radio waves, allowing full protection with full functionality
- Available in 32"x16"x6" (the "Maxi") to house a typical Fire Repeater with high gain antennas, or choose the 16"x16"x6" (the "Mini") version with PVC Antenna Protection System and minimize the installation footprint
- Customization for your specific application is available
- The PVC Enclosure is easily paintable to match your installation location
- Choose between draw down latching or keyed quarter-turn latching
- PVC material with proprietary construction technique, combined with full penetration, like-material welding produces a strong, durable enclosure.
- Use standard PVC solvent cement to attach fittings
- NEMA 4X construction, UL-94 5VA Flame Rating, f(1) UV Rating – This product is not UL listed, so please confirm with your local authority if UL listing is required.
- The unique mounting foot system makes installation easy and adaptable





## *Wireless Repeater Enclosures – NEMA 4X*

---

Choose from the following enclosures designed specifically for the installation of wireless fire alarm repeater units:

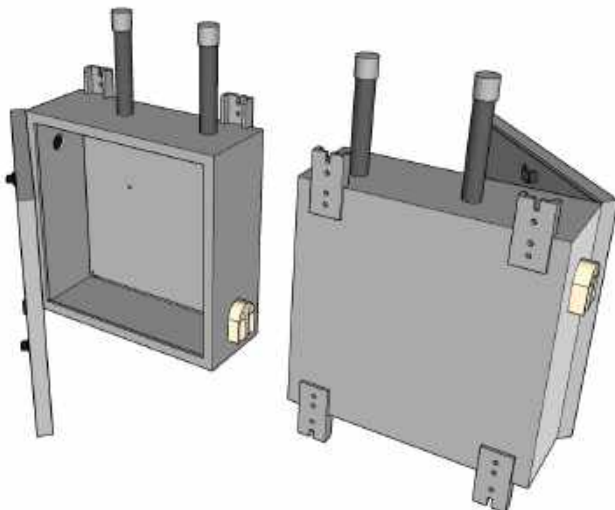
<b>Part Number</b>	<b>Description</b>	<b>L x W x D</b>	<b>Wt</b>	<b>List Price</b>
ES321606-FR1	Maxi Wireless Repeater Enclosure Including Subpanel and Padlockable Draw-Down Latching	32"x16"x6"	25#	Call
ES321606-FR2	Maxi Wireless Repeater Enclosure Including Subpanel and Quarter-Turn Latching, Keyed, Rain Hood Included	32"x16"x6"	25#	Call

The Maxi Wireless Repeater Enclosure allows the installation of a standard repeater with high-gain antenna's installed. The enclosure comes complete with a PVC subpanel installed. The PVC subpanel includes stainless steel mounting studs for the easy installation of the repeater.

<b>Part Number</b>	<b>Description</b>	<b>L x W x D</b>	<b>Wt</b>	<b>List Price</b>
ES161606-FR1	Mini Wireless Repeater Enclosure Including Subpanel and Draw Down Padlockable Latching	16"x16"x6"	15#	Call
ES161606-FR2	Mini Wireless Repeater Enclosure Including Subpanel and Quarter-Turn Latching, Keyed, Rain Hood Included	16"x16"x6"	15#	Call

The Mini Wireless Repeater Enclosure allows the installation of the repeater and two High Gain Antenna in areas where there just isn't enough wall space for the Maxi the enclosure. Two 14" Antenna Sheath Systems that connect with threaded adapters for

easy installation and removal are included.



The enclosure comes complete with a PVC subpanel installed, which includes stainless steel mounting studs for the easy installation of the repeater device.

Venting and other options are available.

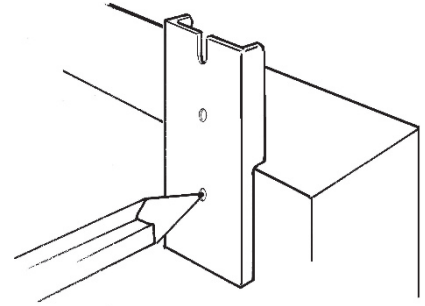
Call us for a quote for this exciting and unique product from Enclosure Solutions, Inc!

## Wireless Repeater Installation Instructions

Thank you for purchasing the Enclosure Solutions, Inc. Wireless Repeater Enclosure. This NEMA 4X enclosure is designed to protect the CWSI AR-3 and AR-5 products in both outdoor and indoor environments.

### 1. Installation of Mounting Feet

- a. The enclosure comes with four PVC mounting feet and mounting hardware. Mounting requires the enclosure base be drilled to accept the .25" SS attachment screw. The mounting foot can be mounted at any point along the top or sides of the enclosure. We recommend two on the top horizontal plane and two on the bottom horizontal plane. The screws come with a sealing compound applied. No sealant is required. Tightening the nuts and washers will eliminate any water intrusion in installation.
- b. The Mounting Feet Kit is included with both the ES1616-Series and the ES321606-Series of enclosures



### 2. Installation of Antenna Sheaths

- a. This applies to ES161606-Series enclosures only.
- b. The enclosure is supplied with two pre-milled holes, and two 14" sheath assemblies. The assemblies include  $\frac{3}{4}$ " PVC conduit, PVC terminal adapters, O-rings, Locknuts, and a  $\frac{3}{4}$ " PVC pipe cap.
- c. Use standard PVC conduit cement to attach the conduit section to the cap and terminal adapter.
- d. Attach the sheath to the enclosure using the terminal adapter, o-ring and locknut provided. Tighten the locknut to ensure a watertight seal. Note that the sheaths can be removed in the future to allow removal of the repeater or the repeater antennas.

### 3. Installation of the Repeater/Subpanel Components

- a. The PVC subpanel (provided) includes two #10 studs installed to accept the AR-3 and AR-5 product. Note that the studs are mounted in brass inserts, you can tighten the studs as necessary post installation.
- b. The subpanel is sized to provide space for the installation of components such as heaters, terminal strips, thermostats, etc. The .25" PVC sheet material can be drilled and components attached using standard SS pan head screws.

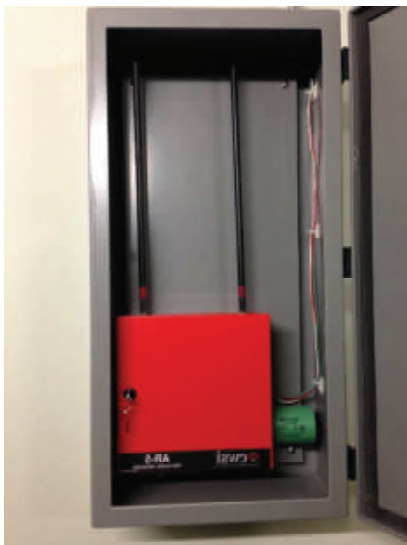
### 4. General Mounting Instructions

- a. The enclosure is manufactured using a UL-listed PVC sheet. The sheet is both flame rated and UV rated and is suitable for outdoor installation.
- b. It is a good practice to mount the enclosure in an area that provides some sun and/or weather protection, such as under an eave.

- c. The door features a closed cell neoprene gasket. In the event of damage, this gasket can be replaced in the field. Please contact Enclosure Solutions if replacement material is ever needed.
- d. The enclosure is provided with no conduit/wiring holes. The best way to drill the PVC material is with a “speed-bore” or a uni-bit. We recommend using sharp tools, and we further recommend entering the enclosure from the bottom wall.
- e. Being manufactured using PVC sheet, the use of PVC solvent cements to secure fittings is encouraged.

If you have any questions, or need a drawing or AutoCad file, please contact us at:

Enclosure Solutions, Inc. [www.enclosure-solutions.com](http://www.enclosure-solutions.com)  
Phone: 1-800-475-8308  
e-mail at [support@enclosure-solutions.com](mailto:support@enclosure-solutions.com)



*AR-5 Repeater Installed in ES321606-FR2 Enclosure*



*Figure 1AR-3 Repeater in ES161606-FR2 Enclosure with One Short Sheath*

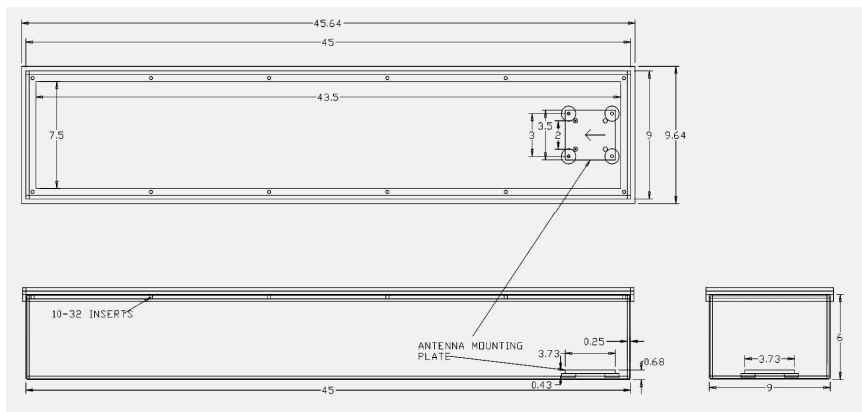
3-16-2017

# YAGI Antenna Enclosures

New from Enclosure Solutions is a custom enclosure specifically designed to protect the YAGI antenna. These PVC NEMA 4X enclosures are designed as screw cover junction boxes to accept the direct installation of the CWSI YAGI Antenna. Constructed in 0.25" PVC Sheet with a V-O Flame rating and UV Stabilization, these custom enclosures are designed to meet NEMA 4X construction standards just like our Wireless Repeater Enclosures.

## **Feature & Benefits**

- The enclosure is 45"x9"x6" to fully enclosure the YAGI antenna
- Brass inserts are pre-installed to mount the YAGI antenna
- The basic kit includes a mounting foot kit, however pole mounting is easily done with standard hardware
- All Stainless Steel closure hardware, fully gasketed cover
- Hinging and latching is available upon request
- P/N ES450906-Y1



## ***Universal Series Medium Range PVC Enclosures NEMA 12 and 4X***

*The Universal Series of medium sized enclosures brings the benefits of engineered thermoplastic material selection to a size range of enclosures never before available.*

*Ranging in standard dimensions from **18"x16"x10"** to **60"x36"x16"**, these enclosures give you the opportunity to use enclosures that are lighter, non-corrosive, easy to machine, and inherently safer than their metal or FRP equivalents.*



### **Features & Benefits:**

- Replace expensive stainless steel with a NEMA 4X non-metallic enclosure
- PVC Sheet construction is light, easy to machine, extremely impact resistant
- Any size is available in addition to the standard sizes. You choose length, width and depth. Call us for details.
- Available with Nylon Draw-Down Latching, Quarter Turn Latching, or Stainless Steel Latching
- Easy to install subpanels with internal mounting panel threaded bosses
- Sturdy nylon hinging for sturdy and durable door opening
- Flat walls and covers make installation and alignment easy
- PVC Sheet material is UV resistant for outdoor use, V-0 Flame Rated
- Independantly orientable mounting feet ease installation (Style S)
- Integral Flange Mounting System is also available (Style F)
- Closed cell neoprene gasket is durable, seals tight, and easy to replace if necessary
- Windows are also available, even custom-sized windows and view ports
- Modifications services (machining, screen printing) are available
- Note that all enclosures ship with mounting system, base, and cover and PVC subpanel

### **Applications:**

- Industrial Control Panels
- Pump controls/Water Treatment
- Solar/Wind/Geothermal Controls and Systems
- RF Controls/ Wireless Systems
- Irrigation and Water Control
- Marine and High-Corrosion Applications
- Applications where weight reduction is important



## "TrueCustom™ Enclosures and Shapes"

Enclosure Solutions is proud to offer the *TrueCustom™ Series* of non-metallic enclosures and shapes to the marketplace. Using our unique fabrication and engineering capabilities, through the *TrueCustom* program we can quite literally offer anything you need. Based on the same concepts as our *Universal Series™* and *AMR SmartCabinet™ Series*, **you can now get the exact enclosure**



**dimensions and features you need, at the same time enjoying the benefits of engineered thermoplastic construction.**

Tooling costs and long lead times are eliminated as we build your custom product, one at a time, in our state-of-the-art manufacturing facility. Traditional barriers to non-metallic enclosure use are eliminated with *TrueCustom™*.

Call us today to find out more about this exciting, unique product offering. With *TrueCustom™*, Enclosure Solutions literally offers the widest, most diverse enclosure offering in the industry.

### Features and Benefits

- You specify length, width, depth, mounting means, windows, latching, even desired NEMA rating
- Enjoy the benefits of thermoplastic enclosures such as light weight, non-corrosive, non-conductive, ease of modification
- Avoid the expense of special tooling, especially desirable for short run or one-off applications



## Applications

- Control Panel applications where custom sizes or unique features are needed
- Equipment protection such as housings, shrouds, or guards are needed
- Medium and large enclosures and cabinets for custom control panels
- Marine applications where corrosion is a problem but traditional non-metallics don't have the features or dimensions you need
- Special applications where environmental issues require alternative materials such as ABS, polycarbonate, or any thermo-plastic material
- Any application where you just don't want to compromise on design or material selection
- We also do custom injection molding as well as roto-molding projects...just call us to discuss your project



Enclosure Solutions, Inc. [www.enclosure-solutions.com](http://www.enclosure-solutions.com)

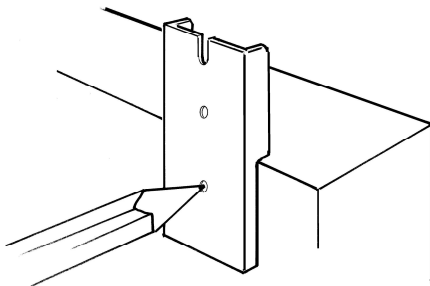
## ***PVC Mounting Foot System***

The mounting foot system is a valuable accessory to the Enclosure Solutions, Inc. Universal Series and PVC Junction Box product lines.

Manufactured in durable, color-matched PVC, these mounting feet are designed to attach to the enclosure base using stainless steel hardware and self-sealing washers (provided).

### ***Features and Benefits***

- \* This product provides the greatest mounting flexibility - you pick where the feet attach to your enclosure, customizing installation and avoiding interferences.
- \* Non-metallic construction eliminates rust and corrosion .
- \* The Mounting Foot System can be used on large PVC junction boxes as well as Universal Series enclosures.
- \* The Mounting Foot System is included standard in each Universal Series Enclosures.
- \* Part Number MFK-CM1 includes four (4) Mounting Feet along with all nuts, bolts, and washers needed to install.



For more information, please contact your local agent, or contact Enclosure Solutions, Inc. at 1-216-789-3814. Visit us on the web at [www.enclosure-solutions.com](http://www.enclosure-solutions.com)

1/1/2016



## ***Hinged Window Kits***

### ***NEMA 12/4X Construction***

*Enclosure Solutions' product line includes a series of NEMA 12/4X Hinged Window Kits. Now you can protect your valuable panel mounted industrial controls and automation equipment with a non-corrosive, non-conductive product specifically designed for this application.*

*Manufactured using our proprietary methods, these PVC Hinged Window Kits are available in custom sizes to meet your exact needs. Perfect for water treatment/waste-water applications, utility applications, wireless equipment installations, and industrial applications where protection from the environment is required.*

#### *Features & Benefits:*

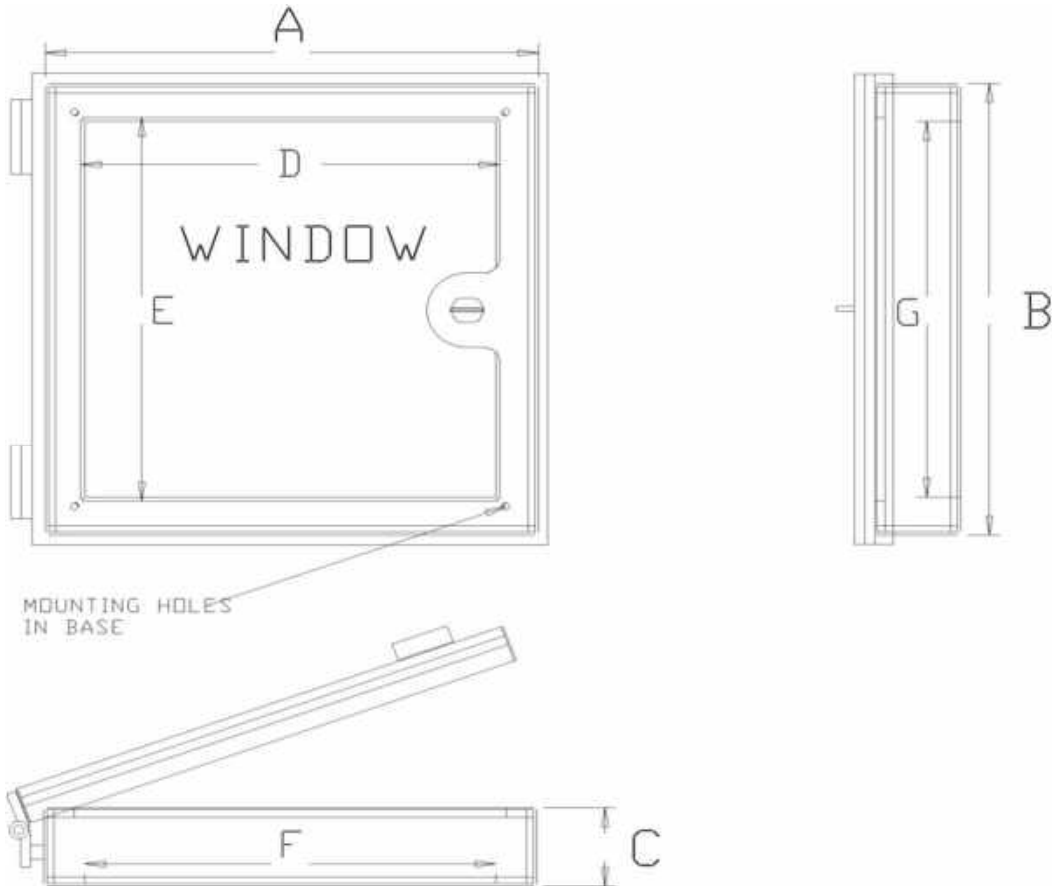
- *Built in durable PVC Sheet with Polycarbonate Windows*
- *NEMA 12/4X Construction*
- *Non-Metallic Hinging*
- *Quarter-Turn Latching (slotted, wing knob, or key lock)*
- *Panel Adaptor Gasket provides positive seal*
- *110 Degree Door Swing*
- *UL Listed Material, Flame Rating V-0*
- *Ships with all mounting hardware and template*
- *Specify Window size and Cutout Dimensions*
- *RF Invisible materials*
- *Available without the Window as a Door Kit*
- *Custom sizes are available*





Part Number	Description	Width A	Height B	Depth C	Window Dimensions (DxE)	List Price Each
WK1212-G1	12"x12" Hinge Window Kit	12"	12"	2"	9.75"x9.50"	\$480.00
WK1814-G1	18"x14" Hinge Window Kit	18"	14"	2"	15.75"x11.50"	\$651.75
WK2017-G1	20"x17" Hinge Window Kit	20"	17"	2"	17.50"x14.50"	\$710.15
WK2218-G1	22"x18" Hinge Window Kit	22"	18"	2"	19.75"x15.50"	\$786.05
WK2424-G1	24"x24" Hinge Window Kit	24"	24"	2"	21.75"x21.50"	\$862.41
WK2822-G1	28"x22" Hinge Window Kit	28"	22"	2"	25.75"x19.50"	\$1,010.88
WK3024-G1	30"x24" Hinge Window Kit	30"	24"	2"	27.75"x21.50"	\$1,050.55

**Custom Sizes are Available Upon Request**



# NEMA 4X Wiring Trough

Our NEMA 4X Wiring Trough is intended for use in greenhouse, wash down applications or other applications where a non-corrosive, non-conductive wiring trough is required.

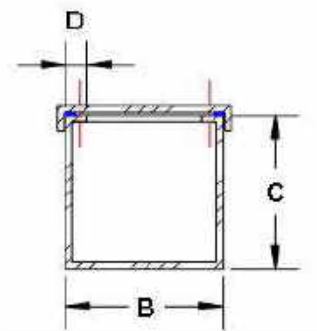
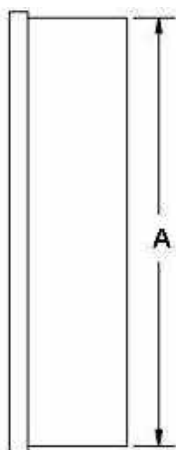
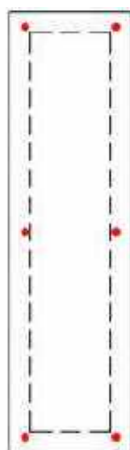
The product is built in sturdy 0.25" PVC sheet with full penetration welded seams.

Custom sizing is available, including variations in width and depth.

	Catalog Number	A	B	C	D
6"x6"	ET060612	6	6	12	0.75
	ET060618	6	6	18	0.75
	ET060624	6	6	24	0.75
	ET060636	6	6	36	0.75
	ET060648	6	6	48	0.75
	ET060660	6	6	60	0.75
	ET060672	6	6	72	0.75
8"x8"	ET080812	8	8	12	0.75
	ET080818	8	8	18	0.75
	ET080824	8	8	24	0.75
	ET080836	8	8	36	0.75
	ET080848	8	8	48	0.75
	ET080860	8	8	60	0.75
	ET080872	8	8	72	0.75
12"x12"	ET121218	12	12	18	0.75
	ET121224	12	12	24	0.75
	ET121236	12	12	36	0.75
	ET121248	12	12	48	0.75
	ET121260	12	12	60	0.75
	ET121272	12	12	72	0.75



*Hinging and latching is also available!*



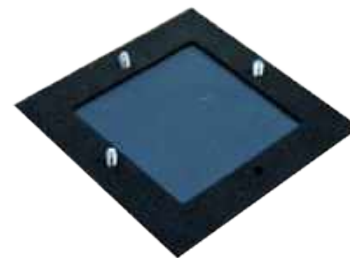
SS Self-Tapping Plastite Screws

For more information about Wiring Trough or any of the other products in our line, please call us at 1-216-772-2930, or visit our website, [www.enclosure-solutions.com](http://www.enclosure-solutions.com)

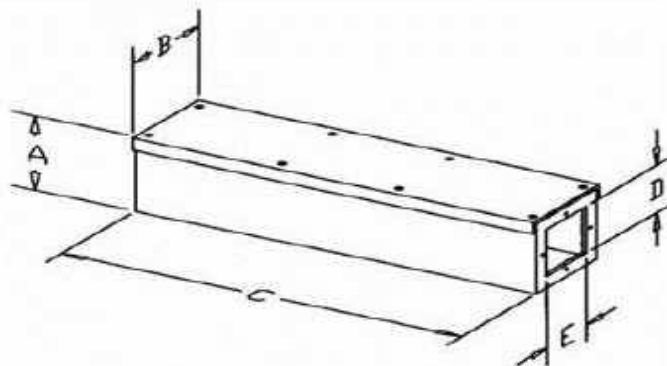
# NEMA 4X Pull-Through WireWay

Our NEMA 4X Pull-Through wireway is intended for use in wash down applications, grow facilities, or other applications where non-corrosive, non-conductive wireway is required. Sections are designed to bolt together, gaskets and SS hardware is provided. This product is also available in custom dimensions and with optional dividers.

	Catalog	A	B	C	D	E
6"x6"	EW060612	6	6	12	4	4
	EW060618	6	6	18	4	4
	EW060624	6	6	24	4	4
	EW060636	6	6	36	4	4
	EW060648	6	6	48	4	4
	EW060660	6	6	60	4	4
	EW060672	6	6	72	4	4
	EW060696	6	6	96	4	4
8"x8"	EW080812	8	8	12	6	6
	EW080818	8	8	18	6	6
	EW080824	8	8	24	6	6
	EW080836	8	8	36	6	6
	EW080848	8	8	48	6	6
	EW080860	8	8	60	6	6
	EW080872	8	8	72	6	6
	EW080896	8	8	96	6	6
12"x12"	EW121218	12	12	18	10	10
	EW121224	12	12	24	10	10
	EW121236	12	12	36	10	10
	EW121248	12	12	48	10	10
	EW121260	12	12	60	10	10
	EW121272	12	12	72	10	10
	EW121296	12	12	96	10	10
90 Degree Elbows	EW906	6	6	6	4	4
	EW908	8	8	8	6	6
	EW9012	12	12	12	10	10
45 Degree Elbows	EW4506	6	6	6	4	4
	EW4508	8	8	8	6	6
	EW4512	12	12	12	10	10
End Caps	EWCP04	4	4			
	EWCP06	6	6			
	EWCP08	8	8			
	EWCP012	12	12			



Note that this product can not be cut to length. We can manufacture sections to your specific requirements.



For more information about WireWay or any of the other products in our line, please call us at 1-216-772-2930, or visit our website, [www.enclosure-solutions.com](http://www.enclosure-solutions.com)

## Recessed Screw Cover Junction Boxes

### NEMA 4X/3R

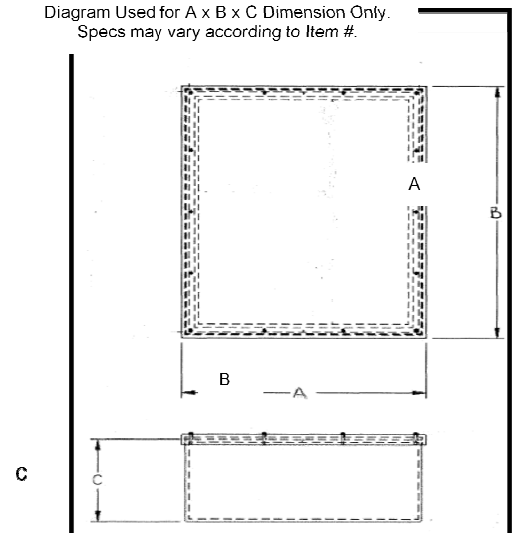
Make installation of concrete embedded Junction Boxes easier with these unique PVC Recessed Cover Pull Boxes



#### FEATURES:

- Recessed Screw Cover Eliminates Concrete Trim (see photo below)
- Will never rust or corrode
- High UV Resistance
- Non-conductive material eliminates shock hazard potential
- Self Extinguishing
- Standard Electrical Grey
- NEMA 3R/4X
- Not Foamed or Filled
- Stainless Steel Screws and Gasketed Stainless Steel Washers
- UL94V-0 Flame Rating
- Accommodates all Types of Conduit

Diagram Used for A x B x C Dimension Only.  
Specs may vary according to Item #.

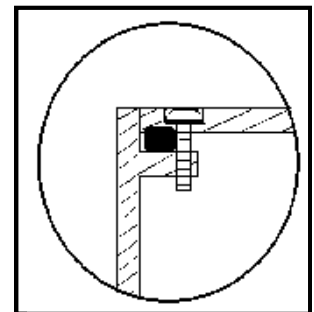


\*\* Note: Not rated for vehicle or pedestrian traffic



#### ELIMINATES CONCRETE TRIM

Attach the box flush to the form. When the form is stripped away, the flush cover attaches inside the lip around the perimeter of the box opening



## Technical Information

### Environmental Ratings and Descriptions

<b>Type 1</b>	Intended for indoor use primarily to provide a degree of protection against limited amounts of falling dirt.
<b>Type 2</b>	Intended for indoor use primarily to provide a degree of protection against limited amounts of falling water and dirt.
<b>Type 3</b>	Intended for outdoor use primarily to provide a degree of protection against rain, sleet, wind blown dust, and damage from external ice formation.
<b>Type 3R</b>	Intended for outdoor use primarily to provide a degree of protection against rain, sleet, and damage from external ice formation.
<b>Type 3S</b>	Intended for use primarily to provide a degree of protection against rain, sleet, wind blown dust and to provide for operation of external mechanisms when ice laden.
<b>Type 4</b>	Intended for indoor or outdoor use primarily to provide a degree of protection against wind blown dust and rain, splashing water, hose-directed water and damage from external ice formation.
<b>Type 4X</b>	Intended for indoor or outdoor use primarily to provide a degree of protection against corrosion, wind blown dust and rain, splashing water, hose-directed water and damage from external ice formation.
<b>Type 5</b>	Intended for indoor use primarily to provide a degree of protection against settling airborne dust, falling dirt and dripping non-corrosive liquids.
<b>Type 6</b>	Intended for indoor or outdoor use primarily to provide a degree of protection against hose-directed water, the entry of water during occasional temporary submersion at a limited depth and damage from external ice formation.
<b>Type 6P</b>	Intended for indoor or outdoor use primarily to provide a degree of protection against hose-directed water, the entry of water during prolonged submersion at a limited depth and damage from external ice formation.
<b>Type 12/12K</b>	Intended for indoor use primarily to provide a degree of protection against circulating dust, falling dirt, and dripping non-corrosive liquids.
<b>Type 13</b>	Intended for indoor use primarily to provide a degree of protection against dust, spraying of water, oil, and non-corrosive coolants.

**Note that the *Polyguard Series* of enclosures holds a UL listing for each of these environmental ratings.  
Note that the *Universal* and *TrueCustom Series* of enclosures can be designed to meet the NEMA equivalent of these ratings.**

## Engineering Properties of Materials

Property	Test Method	Polycarbonate	Type I PVC Sheet	Typical FRP	Steel (CS/SS)	Aluminum
<b>Typical Material Properties</b>						
Specific Gravity	D 792	1.21	1.45	1.95	7.83	2.8
Temperature Range (F)	n/a	-31 to +270 F	+14 to +140 F	-40 to +266 F	n/a	n/a
Impact Resistance (LB-IN)	UL746C	500-900	200	216	n/a	n/a
Notched Izod (ft/lb-in)	D 256	12	15	7	n/a	n/a
Heat Deflection Temp @ 264 PSI	D 648	270	154	400	n/a	n/a
Flammability	UL 94	5VA	V-0	V-0	n/a	n/a
UV Rating	UL 746C	F-1	F-1	F-2	n/a	n/a
Tensile Strength @ Yield (PSI)	D 638	9,000	9,000	8,000	n/a	n/a
Dielectric Strength (Volts/MIL)	D 149	380	645	380	n/a	n/a
Arc Resistance	D 495	90 Sec.	80 Sec.	200 Sec.	n/a	n/a
Water Absorption (% in 24 hrs)	D 570	0.15	0.07	0.25	n/a	n/a
Compressive Strength (PSI)	D 695	12,500	8,000	20,000	n/a	n/a
Flexural Strength (PSI)	D 790	13,200	8,000	17,000	n/a	n/a
Glow Wire Flammability	IEC 60695-2-12	960				
Glow Wire Ignition	IEC 60695-2-13	800				



## Chemical Resistance of Materials\*

S= Superior Resistance, L=Limited , M=Moderate Resistance, U=Unsatisfactory Resistance , ND = No Data Available

	Polycarbonate	PVC	Fiber Glass Polyester	Stainless Steel 304	Neoprene Rubber	Powdercoated Steel	Aluminum
Acetyldehyde	ND	U	U	S	S	ND	S
Acetic Acid (10%)	S	L	S	S	U	U	L
Acetone	U	U	L	S	U	L	S
Aluminum Chloride (10%)	S	S	S	U	S	U	U
Aluminum Sulfate (10%)	S	S	S	U	U	U	L
Ammonia Gas	ND	ND	S	S	S	ND	L
Ammonium Chloride	S	S	S	S	S	U	U
Ammonium Hydroxide (10%)	U	S	L	S	L	U	S
Ammonium Nitrate (10%)	U	S	S	S	U	U	M
Ammonium Phosphate (10%)	S	ND	M	S	U	S	L
Ammonium Sulfate	ND	S	S	S	S	ND	S
Aniline	ND	S	U	S	U	ND	L
ASTM #1 Oil	M	ND	S	S	M	S	S
ASTM #3 Oil	M	ND	S	S	U	S	S
Axle Grease	M	ND	S	S	L	S	S
Benzene	ND	U	S	S	U	ND	S
Boric Acid (10%)	S	L	S	S	S	U	M
Bromine	U	U	L	U	U	U	U
Butyl Acid (10%)	ND	U	S	S	U	ND	M
Butyric Acid	ND	U	S	S	U	ND	U
Calcium Chloride (10%)	S	S	S	L	S	U	L
Calcium Hydroxide (10%)	S	S	S	S	U	U	U
Calcium Hypochlorite (10%)	S	S	M	U	U	U	L
Calcium Sulfate	S	S	S	S	S	U	M
Carbolic Acid (25%)	U	ND	L	S	U	U	M
Carbon Disulfide	ND	U	L	S	U	ND	S
Carbon Tetrachloride	U	L	M	U	U	U	S
Chlorine (Dry)	ND	L	S	S	ND	ND	S
Chlorine (water) 5-10 ppm	S	L	L	U	L	S	M



	Polycarbonate	PVC	Fiber Glass Polyester	Stainless Steel 304	Neoprene Rubber	Powdercoated Steel	Aluminum
Chlorobenzene	ND	U	S	S	U	ND	S
Chloroform	ND	U	U	S	U	ND	L
Chrome Plating Solution	S	ND	L	L	U	U	U
Chromic Acid	ND	L	S	U	U	ND	S
Citric Acid (10%)	S	S	M	S	U	U	U
Copper Sulfate	ND	S	S	S	S	ND	U
Creosote	ND	ND	L	S	U	ND	L
Cutting Fluid (5 Star) 10%	M	ND	S	S	U	U	S
Cutting Fluid (Norton 205)	L	ND	S	S	S	U	U
Cutting Fluid (Rustlick) 10%	S	ND	S	S	S	U	M
Cutting Oil (Dark)	S	ND	S	S	U	S	S
Diethyl Ether	ND	U	S	S	ND	ND	S
Ethyl Alcohol	M	S	S	S	L	M	S
Ethylene Glycol	S	S	L	S	S	ND	S
Ferric Chloride	S	S	S	S	L	U	U
Ferric Nitrate	ND	S	S	S	S	ND	
Ferric Sulfate	ND	S	S	S	S	ND	M
Fluorine	ND	L	U	M	ND	ND	S
Formaldehyde	ND	L	S	L	U	ND	S
Formic Acid	S	L	S	M	U	U	U
Fuel Oil #2	S	S	S	S	U	M	S
Gasoline	ND	S	M	S	U	ND	S
Glycerine	ND	S	S	S	S	ND	S
Hydraulic Brake Fluid	U	ND	S	S	U	U	S
Hydraulic Oil	M	ND	S	S	U	S	S
Hydrochloric Acid (10%)	S	S	M	U	L	U	U
Hydrocyanic Acid	ND	S	U	S	S	ND	S
Hydrofluoric Acid (20%)	M	L	U	U	U	U	U
Hydrogen Peroxide	ND	S	M	L	U	ND	S
Hydrogen Sulfide	ND	S	S	L	U	ND	M

	Polycarbonate	PVC	Fiber Glass Polyester	Stainless Steel 304	Neoprene Rubber	Powdercoated Steel	Aluminum
Hydrochlorus Acid	ND	ND	S	ND	ND	ND	U
Isopropyl Alcohol	S	ND	S	S	S	M	S
Kerosene	M	S	S	S	U	S	S
Lacquer Thinner	U	ND	S	S	U	L	S
Lactic Acid	ND	S	S	L	L	ND	M
Lime	ND	ND	M	ND	S	ND	M
Liquid Dish Soap (10%)	S	S	S	S	L	U	M
Lubricating Oils	ND	ND	S	S	U	ND	S
Magnesium Chloride (10%)	S	S	S	S	S	U	L
Magnesium Hydroxide (10%)	S	S	S	S	S	U	L
Mercuric Chloride (10%)	S	L	M	S	U	U	U
Milk	ND	S	S	S	S	ND	S
Mineral Oil	ND	S	S	S	L	ND	S
Mineral Spirits	M	ND	S	S	U	S	S
Motor Oil (10 wt)	S	ND	S	S	U	S	S
Nickel Salts	ND	S	S	L	U	ND	L
Nitric Acid (10%)	L	S	M	S	U	U	U
Nitrobenzene	ND	U	L	S	U	ND	S
Oleic Acid	ND	S	S	L	ND	ND	S
Perchlorethylene	U	ND	S	S	U	S	S
Phosphoric Acid (25%)	S	S	L	S	S	U	U
Phosphoric Acid (50%)	S	S	U	S	S	U	U
Pickling Solution	S	ND	M	S	L	U	U
Potassium Carbonate (10%)	S	L	S	S	S	S	U
Potassium Chloride (25%)	S	S	S	S	S	U	L
Potassium Hydroxide (25%)	U	S	U	M	U	U	U
Potassium Nitrate (10%)	S	S	S	S	S	U	U
Potassium Sulfate (10%)	S	S	S	S	S	U	L
Soap (Igepal 10%)	S	S	S	S	U	S	L
Sodium Bicarbonate (10%)	S	S	S	S	S	S	L

	Polycarbonate	PVC	Fiber Glass Polyester	Stainless Steel 304	Neoprene Rubber	Powdercoated Steel	Aluminum
Sodium Bisulfate (10%)	S	S	L	S	S	U	U
Sodium Chloride (25%)	S	S	S	S	S	U	L
Sodium Hydroxide	U	S	U	M	U	U	U
Sodium Hypochlorite	S	S	M	S	U	U	U
Sodium Nitrate (10%)	S	S	S	S	S	U	M
Sodium Phosphate (10%)	S	S	S	S	U	U	L
Sulfuric Acid (25%)	S	S	S	S	S	U	U
Sulfuric Acid (10%)	S	S	U	S	U	U	U
Tannic Acid (10%)	S	S	S	M	U	U	L
Tetrahydrofuran	U	ND	L	S	U	U	M
Toluene	U	U	S	S	U	L	S
Trichloroethylene	ND	U	U	L	U	ND	S
Trisodium Phosphate	ND	S	M	ND	ND	ND	L
Turpentine	S	ND	M	S	U	M	S
Vegetable Oils	ND	S	S	S	L	ND	S
Vinegar	ND	ND	S	S	L	ND	M
Water, Industrial	S	S	S	S	S	L	L
Water, Rain	S	S	S	S	S	S	L
Water, Sea	S	S	S	S	S	U	L
Water, Tap	S	S	S	S	S	S	L
Xylene	U	ND	S	S	U	L	S
Zinc Acetate	ND	ND	S	S	ND	ND	S
Zinc Carbonate	M	S	S	M	M	S	L
Zinc Sulfate	ND	S	S	M	S	ND	L

**\* This Chemical Resistance Table is provided to help specifiers determine if a specific material is appropriate for use in a specific environment. This information is provided as a guideline only.**

# CERTIFICATE OF COMPLIANCE

**Certificate Number** 20150619 – E226322  
**Report Reference** E226322 - 20090929  
**Issue Date** 2015-JUNE-19

**Issued to:** INGRAM PRODUCTS INC  
1376 Enterprise Pkwy  
Ashland, OH 44805-8926 USA

**This is to certify that representative samples of** Industrial Control Panels  
USL, CNL Enclosures for Industrial Control Panels, Type  
Rated 1, 2, 3, 3R, 4, 4X, 5, 6, 6P, 12 and 13  
(See following page for additional information.)

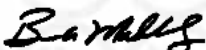
Have been investigated by UL in accordance with the  
Standard(s) indicated on this Certificate.

**Standard(s) for Safety:** UL 508, "Industrial Control Equipment."  
CSA-C22.2 No. 14, "Industrial Control Equipment."

**Additional Information:** See the UL Online Certifications Directory at  
[www.ul.com/database](http://www.ul.com/database) for additional information

Only those products bearing the UL Certification Mark should be considered as being covered by UL's  
Certification and Follow-Up Service.

Look for the UL Certification Mark on the product t.



Bruce Mahrenholz, Assistant Chief Engineer, Global Inspection and Field Services

UL LLC

Any information and documentation involving UL Mark services are provided on behalf of UL LLC (UL) or any authorized licensee of UL. For questions, please  
contact a local UL Customer Service Representative at [www.ul.com/contactus](http://www.ul.com/contactus)





## PolyGuard Series

### Junction Box Construction/Opaque Cover/Mounting Feet

Nominal Size	Part Number	Description	Wt.	List Price
6"x6"x4"	PCO60604JOSF	6"x6"x4" PC Enclosure/Opaque Cover/Junction Box	2.0	\$77.53
8"x6"x4"	PCO80604JOSF	8"x6"x4" PC Enclosure/Opaque Cover/Junction Box	2.5	\$89.74
8"x8"x4"	PCO80804JOSF	8"x8"x4" PC Enclosure/Opaque Cover/Junction Box	3.0	\$100.67
10"x8"x4"	PC100804JOSF	10"x8"x4" PC Enclosure/Opaque Cover/Junction Box	3.0	\$111.61
10"x8"x6"	PC100806JOSF	10"x8"x6" PC Enclosure/Opaque Cover/Junction Box	3.3	\$125.84
12"x10"x6"	PC121006JOSF	12"x10"x6" PC Enclosure/Opaque Cover/Junction Box	5.0	\$140.68
14"x12"x6"	PC141206JOSF	14"x12"x6" PC Enclosure/Opaque Cover/Junction Box	7.0	\$181.50
16"x14"x7"	PC161407JOSF	16"x14"x7" PC Enclosure/Opaque Cover/Junction Box	9.0	\$218.85

### Junction Box Construction/Clear Cover/Mounting Feet

Nominal Size	Part Number	Description	Wt.	List Price
6"x6"x4"	PCO60604JCSF	6"x6"x4" PC Enclosure/Clear Cover/Junction Box	2.0	\$88.79
8"x6"x4"	PCO80604JCSF	8"x6"x4" PC Enclosure/Clear Cover/Junction Box	2.5	\$102.10
8"x8"x4"	PCO80804JCSF	8"x8"x4" PC Enclosure/Clear Cover/Junction Box	3.0	\$115.05
10"x8"x4"	PC100804JCSF	10"x8"x4" PC Enclosure/Clear Cover/Junction Box	3.0	\$127.56
10"x8"x6"	PC100806JCSF	10"x8"x6" PC Enclosure/Clear Cover/Junction Box	3.3	\$145.32
12"x10"x6"	PC121006JCSF	12"x10"x6" PC Enclosure/Clear Cover/Junction Box	5.0	\$163.82
14"x12"x6"	PC141206JCSF	14"x12"x6" PC Enclosure/Clear Cover/Junction Box	7.0	\$198.09
16"x14"x7"	PC161407JCSF	16"x14"x7" PC Enclosure/Clear Cover/Junction Box	9.0	\$245.10

### Hinged Construction/Opaque Cover/Screw Close/Mounting Feet

Nominal Size	Part Number	Description	Wt.	List Price
6"x6"x4"	PCO60604HOSF	6"x6"x4" PC Enclosure/Hinge/Opaque Cover/Screw Close	2.0	\$81.91
8"x6"x4"	PCO80604HOSF	8"x6"x4" PC Enclosure/Hinge/Opaque Cover/Screw Close	2.5	\$92.93
8"x8"x4"	PCO80804HOSF	8"x8"x4" PC Enclosure/Hinge/Opaque Cover/Screw Close	3.0	\$104.42
10"x8"x4"	PC100804HOSF	10"x8"x4" PC Enclosure/Hinge/Opaque Cover/Screw Close	3.0	\$124.43
10"x8"x6"	PC100806HOSF	10"x8"x6" PC Enclosure/Hinge/Opaque Cover/Screw Close	3.3	\$138.12
12"x10"x6"	PC121006HOSF	12"x10"x6" PC Enclosure/Hinge/Opaque Cover/Screw Close	5.0	\$145.06
14"x12"x6"	PC141206HOSF	14"x12"x6" PC Enclosure/Hinge/Opaque Cover/Screw Close	7.0	\$185.08
16"x14"x7"	PC161407HOSF	16"x14"x7" PC Enclosure/Hinge/Opaque Cover/Screw Close	9.0	\$223.84

### Hinged Construction/Clear Cover/Screw Close/Mounting Feet

Nominal Size	Part Number	Description	Wt.	List Price
6"x6"x4"	PCO60604HCSF	6"x6"x4" PC Enclosure/Hinge/Clear Cover/Screw Close	2.0	\$94.41
8"x6"x4"	PCO80604HCSF	8"x6"x4" PC Enclosure/Hinge/Clear Cover/Screw Close	2.5	\$104.47
8"x8"x4"	PCO80804HCSF	8"x8"x4" PC Enclosure/Hinge/Clear Cover/Screw Close	3.0	\$115.05
10"x8"x4"	PC100804HCSF	10"x8"x4" PC Enclosure/Hinge/Clear Cover/Screw Close	3.0	\$140.68
10"x8"x6"	PC100806HCSF	10"x8"x6" PC Enclosure/Hinge/Clear Cover/Screw Close	3.3	\$156.45
12"x10"x6"	PC121006HCSF	12"x10"x6" PC Enclosure/Hinge/Clear Cover/Screw Close	5.0	\$169.44
14"x12"x6"	PC141206HCSF	14"x12"x6" PC Enclosure/Hinge/Clear Cover/Screw Close	7.0	\$203.21
16"x14"x7"	PC161407HCSF	16"x14"x7" PC Enclosure/Hinge/Clear Cover/Screw Close	9.0	\$255.73



**Hinged Construction/Opaque Cover/Latch/Mounting Feet**

Nominal Size	Part Number	Description	Wt.	List Price
6"x6"x4"	PC060604HOLF	6"x6"x4" PC Enclosure/Hinge/Opaque Cover/Locking Latch	2.0	\$109.13
8"x6"x4"	PC080604HOLF	8"x6"x4" PC Enclosure/Hinge/Opaque Cover/Locking Latch	2.5	\$118.69
8"x8"x4"	PC080804HOLF	8"x8"x4" PC Enclosure/Hinge/Opaque Cover/Locking Latch	3.0	\$128.80
10"x8"x4"	PC100804HOLF	10"x8"x4" PC Enclosure/Hinge/Opaque Cover/Locking Latch	3.0	\$139.44
10"x8"x6"	PC100806HOLF	10"x8"x6" PC Enclosure/Hinge/Opaque Cover/Locking Latch	3.3	\$166.84
12"x10"x6"	PC121006HOLF	12"x10"x6" PC Enclosure/Hinge/Opaque Cover/Locking Latch	5.0	\$194.59
14"x12"x6"	PC141206HOLF	14"x12"x6" PC Enclosure/Hinge/Opaque Cover/Locking Latch	7.0	\$222.60
16"x14"x7"	PC161407HOLF	16"x14"x7" PC Enclosure/Hinge/Opaque Cover/Locking Latch	9.0	\$259.48

**Hinged Construction/Clear Cover/Latch/Mounting Feet**

Nominal Size	Part Number	Description	Wt.	List Price
6"x6"x4"	PC060604HCLF	6"x6"x4" PC Enclosure/Hinge/Clear Cover/Locking Latch	2.0	\$117.55
8"x6"x4"	PC080604HCLF	8"x6"x4" PC Enclosure/Hinge/Clear Cover/Locking Latch	2.5	\$129.73
8"x8"x4"	PC080804HCLF	8"x8"x4" PC Enclosure/Hinge/Clear Cover/Locking Latch	3.0	\$142.56
10"x8"x4"	PC100804HCLF	10"x8"x4" PC Enclosure/Hinge/Clear Cover/Locking Latch	3.0	\$156.32
10"x8"x6"	PC100806HCLF	10"x8"x6" PC Enclosure/Hinge/Clear Cover/Locking Latch	3.3	\$186.18
12"x10"x6"	PC121006HCLF	12"x10"x6" PC Enclosure/Hinge/Clear Cover/Locking Latch	5.0	\$216.43
14"x12"x6"	PC141206HCLF	14"x12"x6" PC Enclosure/Hinge/Clear Cover/Locking Latch	7.0	\$238.85
16"x14"x7"	PC161407HCLF	16"x14"x7" PC Enclosure/Hinge/Clear Cover/Locking Latch	9.0	\$293.25

**Junction Box Construction/Opaque Cover/Flange Mounting**

Nominal Size	Part Number	Description	Wt.	List Price
6"x4"x3.5"	PC060435JOSB	6"x4"x3.5" PC Enclosure/Opaque Cover/Junction Box	2.0	\$72.88
6"x6"x4"	PC060604JOSB	6"x6"x4" PC Enclosure/Opaque Cover/Junction Box	2.0	\$78.94
8"x6"x4"	PC080604JOSB	8"x6"x4" PC Enclosure/Opaque Cover/Junction Box	2.5	\$91.37
8"x8"x4"	PC080804JOSB	8"x8"x4" PC Enclosure/Opaque Cover/Junction Box	3.0	\$102.45
10"x8"x4"	PC100804JOSB	10"x8"x4" PC Enclosure/Opaque Cover/Junction Box	3.0	\$113.64
10"x8"x6"	PC100806JOSB	10"x8"x6" PC Enclosure/Opaque Cover/Junction Box	3.3	\$128.13
12"x10"x6"	PC121006JOSB	12"x10"x6" PC Enclosure/Opaque Cover/Junction Box	5.0	\$143.24
14"x12"x6"	PC141206JOSB	14"x12"x6" PC Enclosure/Opaque Cover/Junction Box	7.0	\$184.80
16"x14"x7"	PC161407JOSB	16"x14"x7" PC Enclosure/Opaque Cover/Junction Box	9.0	\$223.23

**Junction Box Construction/Clear Cover/Flange Mounting**

Nominal Size	Part Number	Description	Wt.	List Price
6"x4"x3.5"	PC060435JCSB	6"x4"x3.5" PC Enclosure/Clear Cover/Junction Box	2.0	\$85.88
6"x6"x4"	PC060604JCSB	6"x6"x4" PC Enclosure/Clear Cover/Junction Box	2.0	\$90.41
8"x6"x4"	PC080604JCSB	8"x6"x4" PC Enclosure/Clear Cover/Junction Box	2.5	\$102.10
8"x8"x4"	PC080804JCSB	8"x8"x4" PC Enclosure/Clear Cover/Junction Box	3.0	\$117.14
10"x8"x4"	PC100804JCSB	10"x8"x4" PC Enclosure/Clear Cover/Junction Box	3.0	\$129.88
10"x8"x6"	PC100806JCSB	10"x8"x6" PC Enclosure/Clear Cover/Junction Box	3.3	\$147.96
12"x10"x6"	PC121006JCSB	12"x10"x6" PC Enclosure/Clear Cover/Junction Box	5.0	\$166.80
14"x12"x6"	PC141206JCSB	14"x12"x6" PC Enclosure/Clear Cover/Junction Box	7.0	\$198.63
16"x14"x7"	PC161407JCSB	16"x14"x7" PC Enclosure/Clear Cover/Junction Box	9.0	\$250.00

**Hinged Construction/Opaque Cover/Screw Close/Flange Mounting**

Nominal Size	Part Number	Description	Wt.	List Price
6"x4"x3.5"	PC060435HOSB	6"x4"x3.5" PC Enclosure/Hinge/Opaque Cover/Screw Close	2.0	\$79.22
6"x6"x4"	PC060604HOSB	6"x6"x4" PC Enclosure/Hinge/Opaque Cover/Screw Close	2.0	\$83.40
8"x6"x4"	PC080604HOSB	8"x6"x4" PC Enclosure/Hinge/Opaque Cover/Screw Close	2.5	\$92.23
8"x8"x4"	PC080804HOSB	8"x8"x4" PC Enclosure/Hinge/Opaque Cover/Screw Close	3.0	\$106.32



10"x8"x4"	PC100804HOSB	10"x8"x4" PC Enclosure/Hinge/Opaque Cover/Screw Close	3.0	\$126.69
10"x8"x6"	PC100806HOSB	10"x8"x4" PC Enclosure/Hinge/Opaque Cover/Screw Close	3.3	\$140.63
12"x10"x6"	PC121006HOSB	12"x10"x6" PC Enclosure/Hinge/Opaque Cover/Screw Close	5.0	\$147.69
14"x12"x6"	PC141206HOSB	14"x12"x6" PC Enclosure/Hinge/Opaque Cover/Screw Close	7.0	\$188.44
16"x14"x7"	PC161407HOSB	16"x14"x7" PC Enclosure/Hinge/Opaque Cover/Screw Close	9.0	\$228.42

**Hinged Construction/Clear Cover/Screw Close/Flange Mounting**

Nominal Size	Part Number	Description	Wt.	List Price
6"x4"x3.5"	PC060435HCSB	6"x4"x3.5" PC Enclosure/Hinge/Clear Cover/Screw Close	2.0	\$91.32
6"x6"x4"	PC060604HCSB	6"x6"x4" PC Enclosure/Hinge/Clear Cover/Screw Close	2.0	\$96.13
8"x6"x4"	PC080604HCSB	8"x6"x4" PC Enclosure/Hinge/Clear Cover/Screw Close	2.5	\$103.63
8"x8"x4"	PC080804HCSB	8"x8"x4" PC Enclosure/Hinge/Clear Cover/Screw Close	3.0	\$117.14
10"x8"x4"	PC100804HCSB	10"x8"x4" PC Enclosure/Hinge/Clear Cover/Screw Close	3.0	\$143.24
10"x8"x6"	PC100806HCSB	10"x8"x6" PC Enclosure/Hinge/Clear Cover/Screw Close	3.3	\$159.00
12"x10"x6"	PC121006HCSB	12"x10"x6" PC Enclosure/Hinge/Clear Cover/Screw Close	5.0	\$172.52
14"x12"x6"	PC141206HCSB	14"x12"x6" PC Enclosure/Hinge/Clear Cover/Screw Close	7.0	\$206.39
16"x14"x7"	PC161407HCSB	16"x14"x7" PC Enclosure/Hinge/Clear Cover/Screw Close	9.0	\$260.85

**Hinged Construction/Opaque Cover/Latch/Flange Mounting**

Nominal Size	Part Number	Description	Wt.	List Price
6"x4"x3.5"	PC060435HOLB	6"x4"x3.5" PC Enclosure/Hinge/Opaque Cover/Locking Latch	2.0	\$105.88
6"x6"x4"	PC060604HOLB	6"x6"x4" PC Enclosure/Hinge/Opaque Cover/Locking Latch	2.0	\$111.16
8"x6"x4"	PC080604HOLB	8"x6"x4" PC Enclosure/Hinge/Opaque Cover/Locking Latch	2.5	\$120.85
8"x8"x4"	PC080804HOLB	8"x8"x4" PC Enclosure/Hinge/Opaque Cover/Locking Latch	3.0	\$130.01
10"x8"x4"	PC100804HOLB	10"x8"x4" PC Enclosure/Hinge/Opaque Cover/Locking Latch	3.0	\$141.97
10"x8"x6"	PC100806HOLB	10"x8"x6" PC Enclosure/Hinge/Opaque Cover/Locking Latch	3.3	\$169.87
12"x10"x6"	PC121006HOLB	12"x10"x6" PC Enclosure/Hinge/Opaque Cover/Locking Latch	5.0	\$198.63
14"x12"x6"	PC141206HOLB	14"x12"x6" PC Enclosure/Hinge/Opaque Cover/Locking Latch	7.0	\$226.64
16"x14"x7"	PC161407HOLB	16"x14"x7" PC Enclosure/Hinge/Opaque Cover/Locking Latch	9.0	\$264.67

**Hinged Construction/Clear Cover/Latch/Flange Mounting**

Nominal Size	Part Number	Description	Wt.	List Price
6"x4"x3.5"	PC060435HCLB	6"x4"x3.5" PC Enclosure/Hinge/Clear Cover/Locking Latch	2.0	\$113.04
6"x6"x4"	PC060604HCLB	6"x6"x4" PC Enclosure/Hinge/Clear Cover/Locking Latch	2.0	\$111.16
8"x6"x4"	PC080604HCLB	8"x6"x4" PC Enclosure/Hinge/Clear Cover/Locking Latch	2.5	\$132.09
8"x8"x4"	PC080804HCLB	8"x8"x4" PC Enclosure/Hinge/Clear Cover/Locking Latch	3.0	\$145.15
10"x8"x4"	PC100804HCLB	10"x8"x4" PC Enclosure/Hinge/Clear Cover/Locking Latch	3.0	\$159.53
10"x8"x6"	PC100806HCLB	10"x8"x6" PC Enclosure/Hinge/Clear Cover/Locking Latch	3.3	\$189.56
12"x10"x6"	PC121006HCLB	12"x10"x6" PC Enclosure/Hinge/Clear Cover/Locking Latch	5.0	\$220.91
14"x12"x6"	PC141206HCLB	14"x12"x6" PC Enclosure/Hinge/Clear Cover/Locking Latch	7.0	\$243.20
16"x14"x7"	PC161407HCLB	16"x14"x7" PC Enclosure/Hinge/Clear Cover/Locking Latch	9.0	\$299.12

**Hinged Cover Assemblies - For use as replacements or to order as components**

Nominal Size	Part Number	Description	Wt.	List Price
6"x4"	PC-0604-HCO	Hinged Cover Assembly - Opaque (4 screws/2 hole plugs)	1.0	\$24.01
6"x4"	PC-0604-HCC	Hinged Cover Assembly - Clear (4 screws/2 hole plugs)	1.0	\$25.26
6"x6"	PC-0606-HCO	Hinged Cover Assembly - Opaque (4 screws/2 hole plugs)	1.0	\$26.19
6"x6"	PC-0606-HCC	Hinged Cover Assembly - Clear (4 screws/2 hole plugs)	1.0	\$27.51
8"x6"	PC-0806-HCO	Hinged Cover Assembly - Opaque (4 screws/2 hole plugs)	1.5	\$30.01
8"x6"	PC-0806-HCC	Hinged Cover Assembly - Clear (4 screws/2 hole plugs)	1.5	\$28.44
8"x8"	PC-0808-HCO	Hinged Cover Assembly - Opaque (4 screws/2 hole plugs)	1.5	\$35.01
8"x8"	PC-0808-HCC	Hinged Cover Assembly - Clear (4 screws/2 hole plugs)	1.5	\$36.27
10"x8"	PC-1008-HCO	Hinged Cover Assembly - Opaque (4 screws/2 hole plugs)	1.5	\$43.77



Enclosure Solutions, Inc.  
Price List  
2020

10"x8"	PC-1008-HCC	Hinged Cover Assembly - Clear (4 screws/2 hole plugs)	1.5	\$45.02
12"x10"	PC-1210-HCO	Hinged Cover Assembly - Opaque (4 screws/2 hole plugs)	2.5	\$52.28
12"x10"	PC-1210-HCC	Hinged Cover Assembly - Clear (4 screws/2 hole plugs)	2.5	\$58.77
14"x12"	PC-1412-HCO	Hinged Cover Assembly - Opaque (4 screws/2 hole plugs)	3.0	\$72.53
14"x12"	PC-1412-HCC	Hinged Cover Assembly - Clear (4 screws/2 hole plugs)	3.0	\$77.53
16"x14"	PC-1614-HCO	Hinged Cover Assembly - Opaque (4 screws/2 hole plugs)	3.5	\$90.03
16"x14"	PC-1614-HCC	Hinged Cover Assembly - Clear (4 screws/2 hole plugs)	3.5	\$93.79

**Junction Box Cover Assemblies - For use as replacements or to order as components**

Nominal Size	Part Number	Description	Wt.	List Price
6"x4"	PC-0604-JCO	Junction Box Cover Assembly - Junction Box/ Opaque (4 screws)	1.0	\$23.76
6"x4"	PC-0604-JCC	Junction Box Cover Assembly - Junction Box/ Clear (4 screws)	1.0	\$24.95
6"x6"	PC-0606-JCO	Junction Box Cover Assembly - Junction Box/ Opaque (4 screws)	1.0	\$25.01
6"x6"	PC-0606-JCC	Junction Box Cover Assembly - Junction Box/ Clear (4 screws)	1.0	\$26.23
8"x6"	PC-0806-JCO	Junction Box Cover Assembly - Junction Box/ Opaque (4 screws)	1.5	\$28.77
8"x6"	PC-0806-JCC	Junction Box Cover Assembly - Junction Box/Clear(4 screws)	1.5	\$30.57
8"x8"	PC-0808-JCO	Junction Box Cover Assembly - Junction Box/ Opaque (4 screws)	1.5	\$33.76
8"x8"	PC-0808-JCC	Junction Box Cover Assembly - Junction Box/ Clear (4 screws)	1.5	\$35.01
10"x8"	PC-1008-JCO	Junction Box Cover Assembly - Junction Box/ Opaque (4 screws)	1.5	\$42.51
10"x8"	PC-1008-JCC	Junction Box Cover Assembly - Junction Box/ Clear (4 screws)	1.5	\$43.77
12"x10"	PC-1210-JCO	Junction Box Cover Assembly - Junction Box/ Opaque (4 screws)	2.5	\$51.27
12"x10"	PC-1210-JCC	Junction Box Cover Assembly - Junction Box/ Clear (4 screws)	2.5	\$57.52
14"x12"	PC-1412-JCO	Junction Box Cover Assembly - Junction Box/ Opaque (4 screws)	3.0	\$67.53
14"x12"	PC-1412-JCC	Junction Box Cover Assembly - Junction Box/ Clear (4 screws)	3.0	\$70.03
16"x14"	PC-1614-JCO	Junction Box Cover Assembly - Junction Box/ Opaque (4 screws)	3.5	\$78.78
16"x14"	PC-1614-JCC	Junction Box Cover Assembly - Junction Box/ Clear (4 screws)	3.5	\$82.54

**Junction Box Base Assemblies - For use as replacements or to order as components**

Nominal Size	Part Number	Description	Wt.	List Price
6"x4"x4"	PC-0604035-JB	Base Assembly - Junction Box	1.0	\$59.40
6"x6"x4"	PC-060604-JB	Base Assembly - Junction Box	1.0	\$62.52
8"x6"x4"	PC-080604-JB	Base Assembly - Junction Box	1.5	\$75.17
8"x8"x4"	PC-080804-JB	Base Assembly - Junction Box	2.0	\$80.04
10"x8"x4"	PC-100804-JB	Base Assembly - Junction Box	2.0	\$83.79
10"x8"x6"	PC-100806-JB	Base Assembly - Junction Box	2.3	\$93.02
12"x10"x6"	PC-121006-JB	Base Assembly - Junction Box	3.0	\$106.29
14"x12"x6"	PC-141206-JB	Base Assembly - Junction Box	4.0	\$125.05
16"x14"x7"	PC-161407-JB	Base Assembly - Junction Box	6.0	\$162.12

**Hinged Base Assemblies - For use as replacements or to order as components**

Nominal Size	Part Number	Description	Wt.	List Price
6"x4"x4"	PC-0604035-HB	Base Assembly - Hinged Enclosure	1.0	\$63.56
6"x6"x4"	PC-060604-HB	Base Assembly - Hinged Enclosure	1.0	\$66.90
8"x6"x4"	PC-080604-HB	Base Assembly - Hinged Enclosure	1.5	\$77.03
8"x8"x4"	PC-080804-HB	Base Assembly - Hinged Enclosure	2.0	\$78.78
10"x8"x4"	PC-100804-HB	Base Assembly - Hinged Enclosure	2.0	\$95.67
10"x8"x6"	PC-100806-HB	Base Assembly - Hinged Enclosure	2.3	\$106.19
12"x10"x6"	PC-121006-HB	Base Assembly - Hinged Enclosure	3.0	\$110.68
14"x12"x6"	PC-141206-HB	Base Assembly - Hinged Enclosure	4.0	\$125.68
16"x14"x7"	PC-161407-HB	Base Assembly - Hinged Enclosure	6.0	\$161.94





**PolyGuard Accessories**

Nominal Size	Part Number	Description	Wt.	List Price
n/a	SWPK-01	Swing Panel Kit (NEW)	1.0	\$33.85
n/a	BPA-004	Subpanel Adjustment Kit - 4 Slides with Screws	1.0	\$20.20
n/a	HTK-02	Swing Panel Hinge Kit (requires use of BPA-004)	1.0	\$13.89
n/a	MB-06-2	Mounting Flange Kit for 6" Side (6"x6", 8"x6")	1.0	\$17.37
n/a	MB-08-2	Mounting Flange Kit for 8" Side (6"x6", 8"x8", and 10"x8" Enclosures)	1.0	\$19.68
n/a	MB-10-2	Mounting Flange Kit for 10" Side ( 12"x10" and 10"x8" Enclosures)	1.0	\$19.68
n/a	MB-12-2	Mounting Flange Kit for 12" Side (12"x10" and 14"x12" Enclosures)	2.0	\$23.16
n/a	MB-14-2	Mounting Flange Kit for 14" Side (14"x12" and 16"x14" Enclosures)	2.5	\$36.23
n/a	MF-004	Mounting Feet Kit - 4 Mounting Feet and 4 SS Screws	1.0	\$15.05
n/a	SHC-020	Screw Hole Plugs - Bag of 20	1.0	\$11.58
n/a	SL-001	Stainless Steel Slide-On Latch Kit - 1 Latch and 4 Hole Plugs	1.0	\$23.16
n/a	SSK-20	Security Screw Kit (20 screws per kit, T25 bit required)	1.0	\$43.85

**Aluminum Subpanels**

Nominal Size	Part Number	Description	Wt.	List Price
6"x4"	ABP-0604	Aluminum Subpanel for 6"x4" Enclosure	1.0	\$16.79
6"x6"	ABP-0606	Aluminum Subpanel for 6"x6" Enclosure	1.0	\$18.52
8"x6"	ABP-0806	Aluminum Subpanel for 8"x6" Enclosure	1.5	\$20.26
8"x8"	ABP-0808	Aluminum Subpanel for 8"x8" Enclosure	2.0	\$22.00
10"x8"	ABP-1008	Aluminum Subpanel for 10"x8" Enclosure	2.0	\$22.00
12"x10"	ABP-1210	Aluminum Subpanel for 12"x10" Enclosure	3.0	\$25.76
14"x12"	ABP-1412	Aluminum Subpanel for 14"x12" Enclosure	4.0	\$34.74
16"x14"	ABP-1614	Aluminum Subpanel for 16"x14" Enclosure	5.0	\$35.21

**White Powder-Coated Steel Subpanels**

Nominal Size	Part Number	Description	Wt.	List Price
6"x4"	BP0604STLW	White PowderCoated Carbon Steel Subpanel - 6x4 Enclosure	2.0	\$10.56
6"x6"	BP0606STLW	White PowderCoated Carbon Steel Subpanel - 6x6 Enclosure	2.0	\$12.66
8"x6"	BP0806STLW	White PowderCoated Carbon Steel Subpanel - 8x6 Enclosure	3.0	\$14.62
8"x8"	BP0808STLW	White PowderCoated Carbon Steel Subpanel - 8x8 Enclosure	4.0	\$17.15
10"x8"	BP1008STLW	White PowderCoated Carbon Steel Subpanel - 10x8 Enclosure	5.0	\$19.99
12"x10"	BP1210STLW	White PowderCoated Carbon Steel Subpanel - 12x10 Enclosure	7.0	\$27.07
14"x12"	BP1412STLW	White PowderCoated Carbon Steel Subpanel - 14x12 Enclosure	8.0	\$35.52
16"x14"	BP1614STLW	White PowderCoated Carbon Steel Subpanel - 16x14 Enclosure	10.0	\$52.00

**PVC Subpanels**

Nominal Size	Part Number	Description	Wt.	List Price
6"x4"	BP0604PVC	.1875" PVC Subpanel - 6x4 Enclosure	2.0	\$16.00
6"x6"	BP0606PVC	.1875" PVC Subpanel - 6x6 Enclosure	2.0	\$17.00
8"x6"	BP0806PVC	.1875" PVC Subpanel - 8x6 Enclosure	3.0	\$19.00
8"x8"	BP0808PVC	.1875" PVC Subpanel - 8x8 Enclosure	4.0	\$21.00
10"x8"	BP1008PVC	.1875" PVC Subpanel - 10x8 Enclosure	5.0	\$21.00
12"x10"	BP1210PVC	.1875" PVC Subpanel - 12x10 Enclosure	7.0	\$24.00
14"x12"	BP1412PVC	.1875" PVC Subpanel - 14x12 Enclosure	8.0	\$33.00
16"x14"	BP1614PVC	.1875" PVC Subpanel - 16x14 Enclosure	10.0	\$40.00



### PolyGuard Small Junction Boxes

Nominal Size	Part Number	Description	Wt	List Price
5"x3"x4"	JB35	5"x3"x4" Junction Box with Lift Off Cover and Hinge Pins	1.5	\$68.42
7"x5"x3"	JB57	7"x5"x4" Junction Box with Lift Off Cover and Hinge Pins	2.5	\$85.26
4"x4"x2"	JB442	4"x4"x2" Standard Junction Box with Mounting Tabs, Screw Cover	1.5	\$30.00
4"x4"x4"	JB444	4"x4"x4" Standard Junction Box with Mounting Tabs, Screw Cover	2	\$38.00

### Universal Series Enclosures - NEMA 12/4X

#### Series F Design - Hinged, Draw-Down Latching, Flange Mounting System, PVC Panel Included

Nominal Size	Part Number	Description	Wt.	List Price
12"x12"x12"	ES121212PVCF	12"x12"x12" Hinge/Latch Closed, Series F PVC Enclosure	12	\$254.70
18"x16"x10"	ES181610PVCF	18"x16"x10" Hinge, Latch Closed, Series F PVC Enclosure	12	\$347.28
20"x16"x8"	ES201608PVCF	20"x16"x8" Hinge, Latch Closed, Series F PVC Enclosure	13	\$426.95
20"x20"x8"	ES202008PVCF	20"x20"x8" Hinge, Latch Closed, Series F PVC Enclosure	16	\$500.50
24"x20"x10"	ES242010PVCF	24"x20"x10" Hinge, Latch Closed, Series F PVC Enclosure	19	\$561.78
24"x20"x12"	ES242012PVCF	24"x20"x12" Hinge, Latch Closed, Series F PVC Enclosure	21	\$582.22
24"x24"x10"	ES242410PVCF	24"x24"x10" Hinge, Latch Closed, Series F PVC Enclosure	22	\$623.07
24"x24"x12"	ES242412PVCF	24"x24"x12" Hinge, Latch Closed, Series F PVC Enclosure	23	\$690.48
30"x24"x8"	ES302408PVCF	30"x24"x8" Hinge, Latch Closed, Series F PVC Enclosure	25	\$695.52
30"x24"x10"	ES302410PVCF	30"x24"x10" Hinge, Latch Closed, Series F PVC Enclosure	26	\$704.78
30"x24"x12"	ES302412PVCF	30"x24"x12" Hinge, Latch Closed, Series F PVC Enclosure	28	\$733.38
36"x30"x12"	ES363012PVCF	36"x30"x12" Hinge, Latch Closed, Series F PVC Enclosure	37	\$1,103.15
36"x36"x12"	ES363612PVCF	36"x36"x12" Hinge, Latch Closed, Series F PVC Enclosure	43	\$1,293.13
48"x36"x12"	ES483612PVCF	48"x36"x12" Hinge, Latch Closed, Series F PVC Enclosure	54	\$1,419.77
60"x36"x12"	ES603612PVCF	60"x36"x12" Hinge, Latch Closed, Series F PVC Enclosure	64	\$1,440.22

*Any Length/Width/Depth is available, call for a quote*

#### Series F Design with Window Installed, Flange Mounting System, PVC Panel Included

Nominal Size	Part Number	Description	Wt.	List Price
18"x16"x10"	ES181610PVCFW	18"x16"x10" Hinge, Latch Closed, Series F, PVC Enclosure/Window	15	\$378.71
20"x16"x8"	ES201608PVCFW	20"x16"x8" Hinge, Latch Closed, Series F, PVC Enclosure/Window	14	\$505.53
20"x20"x8"	ES202008PVCFW	20"x20"x8" Hinge, Latch Closed, Series F, PVC Enclosure/Window	19	\$579.07
24"x20"x10"	ES242010PVCFW	24"x20"x10" Hinge, Latch Closed, Series F, PVC Enclosure/Window	20	\$640.35
24"x20"x12"	ES242012PVCFW	24"x20"x12" Hinge, Latch Closed, Series F, PVC Enclosure/Window	20	\$660.78
24"x24"x10"	ES242410PVCFW	24"x24"x10" Hinge, Latch Closed, Series F, PVC Enclosure/Window	21	\$700.85
24"x24"x12"	ES242412PVCFW	24"x24"x12" Hinge, Latch Closed, Series F, PVC Enclosure/Window	22	\$769.05
30"x24"x10"	ES302410PVCFW	30"x24"x10" Hinge, Latch Closed, Series F, PVC Enclosure/Window	22	\$901.22
30"x24"x12"	ES302412PVCFW	30"x24"x12" Hinge, Latch Closed, Series F, PVC Enclosure/Window	25	\$929.81

*Any Length/Width/Depth is available, call for a quote*

#### Series S Design -Hinged, Draw-Down Latching, Mounting Feet, PVC Panel Included

Nominal Size	Part Number	Description	Wt.	List Price
18"x16"x10"	ES181610PVCS	18"x16"x10" Hinge, Latch Closed, Series S PVC Enclosure	12	\$315.71
20"x16"x8"	ES201608PVCS	20"x16"x8" Hinge, Latch Closed, Series S PVC Enclosure	13	\$388.14
20"x20"x8"	ES202008PVCS	20"x20"x8" Hinge, Latch Closed, Series S PVC Enclosure	17	\$455.00
24"x20"x10"	ES242010PVCS	24"x20"x10" Hinge, Latch Closed, Series S PVC Enclosure	19	\$510.71
24"x20"x12"	ES242012PVCS	24"x20"x12" Hinge, Latch Closed, Series S PVC Enclosure	21	\$529.29
24"x24"x10"	ES242410PVCS	24"x24"x10" Hinge, Latch Closed, Series S PVC Enclosure	22	\$566.43



24"x24"x12"	ES242412PVCS	24"x24"x12" Hinge, Latch Closed, Series S PVC Enclosure	23	\$627.71
30"x24"x10"	ES302410PVCS	30"x24"x10" Hinge, Latch Closed, Series S PVC Enclosure	26	\$640.71
30"x24"x12"	ES302412PVCS	30"x24"x12" Hinge, Latch Closed, Series S PVC Enclosure	28	\$666.71
36"x30"x12"	ES363012PVCS	36"x30"x12" Hinge, Latch Closed, Series S PVC Enclosure	37	\$1,002.86
36"x36"x12"	ES363612PVCS	36"x36"x12" Hinge, Latch Closed, Series S PVC Enclosure	43	\$1,175.58
48"x36"x12"	ES483612PVCS	48"x36"x12" Hinge, Latch Closed, Series S PVC Enclosure	54	\$1,290.71
60"x36"x12"	ES603612PVCS	60"x36"x12" Hinge, Latch Closed, Series S PVC Enclosure	64	\$1,309.29

*Any Length/Width/Depth is available, call for a quote*

**Series S Design with Window Installed, Mounting Feet, PVC Panel Included**

Nominal Size	Part Number	Description	Wt.	List Price
18"x16"x10"	ES181610PVCSW	18"x16"x10" Hinge, Latch Closed, Series S PVC Enclosure/Window	15	\$422.63
20"x16"x8"	ES201608PVCSW	20"x16"x8" Hinge, Latch Closed, Series S PVC Enclosure/Window	14	\$487.48
24"x20"x10"	ES242010PVCSW	24"x20"x10" Hinge, Latch Closed, Series S PVC Enclosure/Window	20	\$544.21
24"x20"x12"	ES242012PVCSW	24"x20"x12" Hinge, Latch Closed, Series S PVC Enclosure/Window	20	\$551.15
24"x24"x10"	ES2424210PVCW	24"x24"x10" Hinge, Latch Closed, Series S PVC Enclosure/Window	21	\$590.52
24"x24"x12"	ES242412PVCSW	24"x24"x12" Hinge, Latch Closed, Series S PVC Enclosure/Window	22	\$607.89
30"x24"x10"	ES302410PVCSW	30"x24"x10" Hinge, Latch Closed, Series S PVC Enclosure/Window	22	\$631.05
30"x24"x12"	ES302412PVCSW	30"x24"x12" Hinge, Latch Closed, Series S PVC Enclosure/Window	25	\$636.85

*Any Length/Width/Depth is available, call for a quote*

**Series S Design - Quarter Turn Latching, One Keyed, Mounting Feet, PVC Panel Included**

Nominal Size	Part Number	Description	Wt.	List Price
18"x16"x10"	ES181610PVCS-QTR	18"x16"x10" Hinge, Latch Closed, Series S PVC Enclosure - Qtr Turn Latching	15	\$346.50
20"x16"x8"	ES201608PVCS-QTR	20"x16"x8" Hinge, Latch Closed, Series S PVC Enclosure - Qtr Turn Latching	14	\$419.54
24"x20"x10"	ES242010PVCS-QTR	24"x20"x10" Hinge, Latch Closed, Series S PVC Enclosure - Qtr Turn Latching	20	\$561.78
24"x20"x12"	ES242012PVCS-QTR	24"x20"x12" Hinge, Latch Closed, Series S PVC Enclosure - Qtr Turn Latching	20	\$435.37
24"x24"x10"	ES242410PVCS-QTR	24"x24"x10" Hinge, Latch Closed, Series S PVC Enclosure - Qtr Turn Latching	21	\$582.22
24"x24"x12"	ES242412PVCS-QTR	24"x24"x12" Hinge, Latch Closed, Series S PVC Enclosure - Qtr Turn Latching	22	\$623.07
30"x24"x10"	ES302410PVCS-QTR	30"x24"x10" Hinge, Latch Closed, Series S PVC Enclosure - Qtr Turn Latching	22	\$704.78
30"x24"x12"	ES302412PVCS-QTR	30"x24"x12" Hinge, Latch Closed, Series S PVC Enclosure - Qtr Turn Latching	25	\$733.38
36"x30"x12"	ES363012PVCS-QTR	36"x30"x12" Hinge, Latch Closed, Series S PVC Enclosure - Qtr Turn Latching	37	\$1,106.15
36"x36"x12"	ES363612PVCS-QTR	36"x36"x12" Hinge, Latch Closed, Series S PVC Enclosure - Qtr Turn Latching	43	\$1,393.14
48"x36"x12"	ES483612PVCS-QTR	48"x36"x12" Hinge, Latch Closed, Series S PVC Enclosure - Qtr Turn Latching	54	\$1,426.39
60"x36"x12"	ES603612PVCS-QTR	60"x36"x12" Hinge, Latch Closed, Series S PVC Enclosure - Qtr Turn Latching	64	\$1,439.90

*Any Length/Width/Depth is available, call for a quote*

**Accessories and Subpanels For Universal Series and Large PVC Junction Boxes**

Accessories	Part Number	Description	Wt.	List Price
Mounting Feet	MFK-CM1	Four PVC Mounting Feet with Mounting Hardware	1	\$25.00
18"x16"	BP1816PVC	PVC Subpanel, includes 4 1/4"-20 screws	3	\$25.00
20"x16"	BP2016PVC	PVC Subpanel, includes 4 1/4"-20 screws	4	\$35.00
24"x20"	BP2420PVC	PVC Subpanel, includes 4 1/4"-20 screws	5	\$40.00
24"x24"	BP2424PVC	PVC Subpanel, includes 4 1/4"-20 screws	6	\$45.00
30"x24"	BP3024PVC	PVC Subpanel, includes 4 1/4"-20 screws	8	\$65.00
36"x30"	BP3630PVC	PVC Subpanel, includes 4 1/4"-20 screws	12	\$110.00
36"x36"	BP3636PVC	PVC Subpanel, includes 8 1/4"-20 screws	14	\$135.00
48"x36"	BP4836PVC	PVC Subpanel, includes 8 1/4"-20 screws	18	\$150.00
60"x36"	BP6036PVC	PVC Subpanel, includes 8 1/4"-20 screws	25	\$200.00



**White PowderCoated Steel Subpanels**

			Wt.	List Price
12"x12"	BP1212STLW	White PowderCoated Carbon Steel Panels for 12"x12"	6	\$11.14
20"x16"	BP2016STLW	White PowderCoated Carbon Steel Panels for 20"x16"	8	\$37.24
20"x20"	BP2020STLW	White PowderCoated Carbon Steel Panels for 20"x20"	11	\$43.45
24"x20"	BP2420STLW	White PowderCoated Carbon Steel Panels for 24"x20"	13	\$55.87
24"x24"	BP2424STLW	White PowderCoated Carbon Steel Panels for 30"x24"	15	\$65.21
30"x24"	BP3024STLW	White PowderCoated Carbon Steel Panels for 30"x24"	16	\$77.60
30"x30"	BP3030STLW	White PowderCoated Carbon Steel Panels for 30"x30"	18	\$102.44
36"x24"	BP3624STLW	White PowderCoated Carbon Steel Panels for 36"x24"	21	\$93.14
36"x36"	BP3636STLW	White PowderCoated Carbon Steel Panels for 36"x36"	28	\$145.89
48"x36"	BP4836STLW	White PowderCoated Carbon Steel Panels for 48"x36"	45	\$189.39
60"x36"	BP6036STLW	White PowderCoated Carbon Steel Panels for 60"x36"	50	\$222.43

**Large NEMA 4X PVC Junction Boxes**

Nominal Size	Part Number	Description	Wt.	List Price
12"X12"X8"	ES121208	PVC Junction Box, NEMA 4X	8	\$338.10
18"X18"X6"	ES181806	PVC Junction Box, NEMA 4X	10	\$472.50
18"X18"X8"	ES181808	PVC Junction Box, NEMA 4X	11	\$486.50
18"X18"X12"	ES181812	PVC Junction Box, NEMA 4X	16	\$501.90
20"X18"X8"	ES201808	PVC Junction Box, NEMA 4X	14	\$453.18
20"X20"X8"	ES202008	PVC Junction Box, NEMA 4X	15	\$515.15
24"X18"X8"	ES241808	PVC Junction Box, NEMA 4X	16	\$496.86
24"X20"X8"	ES242008	PVC Junction Box, NEMA 4X	18	\$535.08
24"X24"X6"	ES242406	PVC Junction Box, NEMA 4X	18	\$550.20
24"X24"X8"	ES242408	PVC Junction Box, NEMA 4X	20	\$579.60
24"X24"X10"	ES242410	PVC Junction Box, NEMA 4X	22	\$631.05
24"X24"X12"	ES242412	PVC Junction Box, NEMA 4X	24	\$682.50
30"X24"X8"	ES302408	PVC Junction Box, NEMA 4X	24	\$756.00
30"X30"X8"	ES303008	PVC Junction Box, NEMA 4X	28	\$868.35
36"X24"X8"	ES362408	PVC Junction Box, NEMA 4X	28	\$819.00

*Any Length/Width/Depth is available, call for a quote*

**Large NEMA 4X Junction Boxes with Mounting Bosses (PVC Panel Included)**

Nominal Size	Part Number	Description	Wt.	List Price
12"X12"X8"	ES121208-MB	PVC Junction Box, NEMA 4X - Four Mounting Bosses Installed	8	\$362.00
18"X18"X6"	ES181806-MB	PVC Junction Box, NEMA 4X - Four Mounting Bosses Installed	10	\$490.00
18"X18"X8"	ES181808-MB	PVC Junction Box, NEMA 4X - Four Mounting Bosses Installed	11	\$505.50
18"X18"X12"	ES181812-MB	PVC Junction Box, NEMA 4X - Four Mounting Bosses Installed	16	\$518.00
20"X18"X8"	ES201808-MB	PVC Junction Box, NEMA 4X - Four Mounting Bosses Installed	14	\$471.60
20"X20"X8"	ES202008-MB	PVC Junction Box, NEMA 4X - Four Mounting Bosses Installed	15	\$531.00
24"X18"X8"	ES241808-MB	PVC Junction Box, NEMA 4X - Four Mounting Bosses Installed	16	\$513.00
24"X20"X8"	ES242008-MB	PVC Junction Box, NEMA 4X - Four Mounting Bosses Installed	18	\$549.60
24"X24"X6"	ES242406-MB	PVC Junction Box, NEMA 4X - Four Mounting Bosses Installed	18	\$549.60
24"X24"X8"	ES242408-MB	PVC Junction Box, NEMA 4X - Four Mounting Bosses Installed	20	\$592.00
24"X24"X10"	ES242410-MB	PVC Junction Box, NEMA 4X - Four Mounting Bosses Installed	22	\$641.00
24"X24"X12"	ES242412-MB	PVC Junction Box, NEMA 4X - Four Mounting Bosses Installed	24	\$690.00



30"X24"X8"	ES302408-MB	PVC Junction Box, NEMA 4X - Four Mounting Bosses Installed	24	\$760.00
30"X30"X8"	ES303008-MB	PVC Junction Box, NEMA 4X - Four Mounting Bosses Installed	28	\$885.00
36"X24"X8"	ES362408-MB	PVC Junction Box, NEMA 4X - Four Mounting Bosses Installed	28	\$885.00

*Any Length/Width/Depth is available, call for a quote*

## Wireless Fire Alarm Repeater Enclosures NEMA 4X

Nominal Size	Part Number	Description	Weight	List Price (ea)
32"x16"x6"	ES321606-FR1	Wls. Repeater Enclosure w/subpanel, latching, mtg feet	25	\$695.00
32"x16"x6"	ES321606-FR2	Wls. Repeater Enclosure w/subpanel, 1/4 Turn Latching, mtg feet	25	\$695.00
16"x16"x6"	ES161606-FR1	Wls.Repeater Enclosure w/subpanel, latching, mtg feet	15	\$500.00
16"x16"x6"	ES161606-FR2	Wls. Repeater Enclosure w/subpanel, 1/4 Turn Latching, mtg feet	15	\$500.00
45"x9"x6"	ES450906-Y1	Yagi Antenna Enclosure with Screw Cover with Antenna Mount	20	\$455.00

## Non-Metallic Cord Grips

Nominal Size	Part Number	Description/Cable Range/Color	Std Pkg	List Price (ea)
3/8"	FGB17-07B	PF Thread Grip/4.0-7.0 mm/Black/Includes Nut and Seal	50	\$1.94
3/8"	FGB17-10B	PF Thread Grip/6.0-10.0 mm/Black/Includes Nut and Seal	50	\$1.94
1/2"	FGB21-10B	PF Thread Grip/6.0-11.0 mm/Black/Includes Nut and Seal	50	\$2.75
1/2"	FGB21-14B	PF Thread Grip/8.5-14.0 mm/Black/Includes Nut and Seal	50	\$2.75
3/4"	FGB26-16B	PF Thread Grip/10.0-16.0 mm/Black/Includes Nut and Seal	50	\$3.50
3/4"	FGB26-18B	PF Thread Grip/12.5-18.0 mm/Black/Includes Nut and Seal	50	\$3.50
1"	FGB33-22B	PF Thread Grip/16.0-22.0 mm/Black/Includes Nut and Seal	50	\$5.65
1"	FGB33-25B	PF Thread Grip/18.0-25.0 mm/Black/Includes Nut and Seal	10	\$5.65
1 1/4"	FGB42-30B	PF Thread Grip/24.0-32.0 mm/Black/Includes Nut and Seal	10	\$7.38

*For additional sizes or types, please call*

## Window Kits - NEMA 12/4X PVC

Part Number	Overall Dimensions	Description	Window Dimensions*	Cutout Dimensions*
WK1212-G1	12" x 12" x 2"	PVC Window Kit, Hinged on 12" side, Quarter Turn Latching	9.75"x9.50"	9.75"x9.50"
WK1814-G1	18" x 14" x 2"	PVC Window Kit, Hinged on 18" side, Quarter Turn Latching	15.75"x11.50"	15.75"x11.50"
WK2017-G1	20" x 17" x 2"	PVC Window Kit, Hinged on 20" side, Quarter Turn Latching	17.50"x14.50"	17.50"x14.50"
WK2218-G1	22" x 18" x 2"	PVC Window Kit, Hinged on 22" side, Quarter Turn Latching	19.75"x15.50"	19.75"x15.50"
WK2424-G1	24" x 24" x 2"	PVC Window Kit, Hinged on 24" side, Quarter Turn Latching	21.75"x21.50"	21.75"x21.50"
WK2822-G1	28" x 22" x 2"	PVC Window Kit, Hinged on 28" side, Quarter Turn Latching	25.75"x19.50"	25.75"x19.50"
WK3024-G1	30" x 24" x 2"	PVC Window Kit, Hinged on 30" side, Quarter Turn Latching	27.75"x21.50"	27.75"x21.50"

\* approximate dimensions, call to discuss your requirements

*Any Length/Width/Depth is available, call for a quote*

## Pull-Through NEMA 4X WireWay

Nominal Size	Part Number	Description	Wt. Est.	List Price
6"x6"x12"	EW060612	Pull Through Wireway 6"x6"x12"	4	\$168.00
6"x6"x18"	EW060618	Pull Through Wireway 6"x6"x18"	5	\$218.66
6"x6"x24"	EW060624	Pull Through Wireway 6"x6"x24"	8	\$234.65
6"x6"x36"	EW060636	Pull Through Wireway 6"x6"x36"	12	\$264.00
6"x6"x48"	EW060648	Pull Through Wireway 6"x6"x48"	16	\$293.30
6"x6"x60"	EW060660	Pull Through Wireway 6"x6"x60"	20	\$368.00
6"x6"x72"	EW060672	Pull Through Wireway 6"x6"x72"	24	\$440.00
6"x6"x96"	EW060696	Pull Through Wireway 6"x6"x96"	30	\$586.60
8"x8"x12"	EW080812	Pull Through Wireway 8"x8"x12"	6	\$189.35
8"x8"x18"	EW080818	Pull Through Wireway 8"x8"x18"	8	\$233.40
8"x8"x24"	EW080824	Pull Through Wireway 8"x8"x24"	12	\$373.50
8"x8"x36"	EW080836	Pull Through Wireway 8"x8"x36"	18	\$437.00
8"x8"x48"	EW080848	Pull Through Wireway 8"x8"x48"	24	\$470.00
8"x8"x60"	EW080860	Pull Through Wireway 8"x8"x60"	30	\$531.00
8"x8"x72"	EW080872	Pull Through Wireway 8"x8"x72"	36	\$667.00
8"x8"x96"	EW080896	Pull Through Wireway 8"x8"x96"	42	\$668.00
12"x12"x18"	EW121218	Pull Through Wireway 12"x12"x18"	12	\$322.50
12"x12"x24"	EW121224	Pull Through Wireway 12"x12"x24"	18	\$437.00
12"x12"x36"	EW121236	Pull Through Wireway 12"x12"x36"	24	\$546.50
12"x12"x48"	EW121248	Pull Through Wireway 12"x12"x48"	30	\$605.35
12"x12"x60"	EW121260	Pull Through Wireway 12"x12"x60"	36	\$741.00
12"x12"x72"	EW121272	Pull Through Wireway 12"x12"x72"	48	\$782.40
12"x12"x96"	EW121296	Pull Through Wireway 12"x12"x96"	60	\$1,085.35
6"x6"	EW906	90 Degree Elbow	5	\$125.30
8"x8"	EW908	90 Degree Elbow	6	\$125.30
12"x12"	EW912	90 Degree Elbow	8	\$202.65
6"x6"	EW4506	45 Degree Elbow	5	\$125.30
8"x8"	EW4508	45 Degree Elbow	6	\$125.30
12"x12"	EW4512	45 Degree Elbow	8	\$202.65
6"x6"	EWCP06	End Cap Kits (Cap/Gasket/Screws)	2	\$42.50
8"x8"	EWCP08	End Cap Kits (Cap/Gasket/Screws)	3	\$42.50
12"x12"	EWCP12	End Cap Kits (Cap/Gasket/Screws)	4	\$42.50

## NEMA 4X Wiring Trough

Nominal Size	Part Number	Description	Wt. Est.	List Price
6"x6"x12"	ET060612	Wiring Trough 6"x6"X12"	4	\$189.40
6"x6"x18"	ET060618	Wiring Trough 6"x6"X18"	5	\$218.60
6"x6"x24"	ET060624	Wiring Trough 6"x6"X24"	8	\$245.50
6"x6"x36"	ET060636	Wiring Trough 6"x6"X36"	12	\$264.00
6"x6"x48"	ET060648	Wiring Trough 6"x6"X48"	16	\$293.50
6"x6"x60"	ET060660	Wiring Trough 6"x6"X60"	20	\$368.00
6"x6"x72"	ET060672	Wiring Trough 6"x6"X72"	24	\$440.00
8"x8"x12"	ET080812	Wiring Trough 8"x8"X12"	10	\$202.65
8"x8"x18"	ET080818	Wiring Trough 8"x8"X18"	14	\$280.00
8"x8"x24"	ET080824	Wiring Trough 8"x8"X24"	18	\$389.00



Enclosure Solutions, Inc.  
Price List  
2020

8"x8"x36"	ET080836	Wiring Trough 8"x8"X36"	22	\$438.00
8"x8"x48"	ET080848	Wiring Trough 8"x8"X48"	30	\$469.00
8"x8"x60"	ET080860	Wiring Trough 8"x8"X60"	40	\$530.55
8"x8"x72"	ET080872	Wiring Trough 8"x8"X72"	44	\$666.65
12"x12"x12"	ET121212	Wiring Trough 12"x12"X12"	10	\$202.65
12"x12"x18"	ET121218	Wiring Trough 12"x12"x18"	12	\$322.65
12"x12"x24"	ET121224	Wiring Trough 12"x12"x24"	18	\$456.00
12"x12"x36"	ET121236	Wiring Trough 12"x12"x36"	24	\$455.55
12"x12"x48"	ET121248	Wiring Trough 12"x12"x48"	30	\$682.65
12"x12"x60"	ET121260	Wiring Trough 12"x12"x60"	36	\$802.65
12"x12"x72"	ET121272	Wiring Trough 12"x12"x72"	48	\$753.50

Orders ship FOB Shipping Point

Minimum Order Value is \$50.00

See Terms and Conditions of Sale at [www.enclosure-solutions.com](http://www.enclosure-solutions.com)

Credit Application Required (see [www.enclosure-solutions.com](http://www.enclosure-solutions.com))

Pricing is subject to change

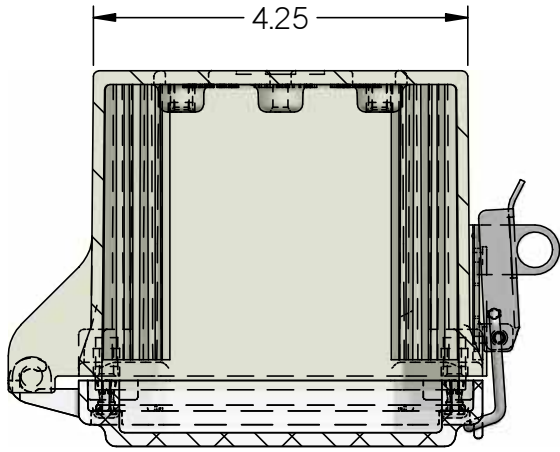
Please contact your agent or Enclosure Solutions, Inc. for pricing and quotes



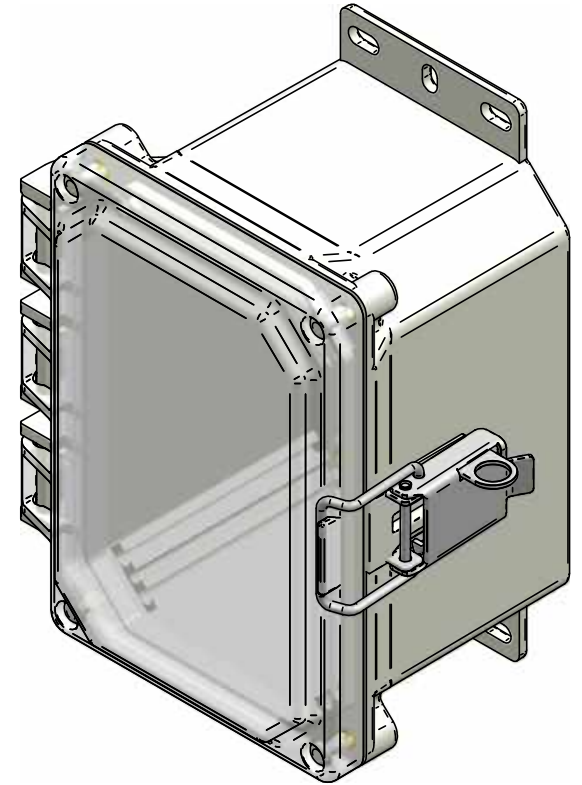
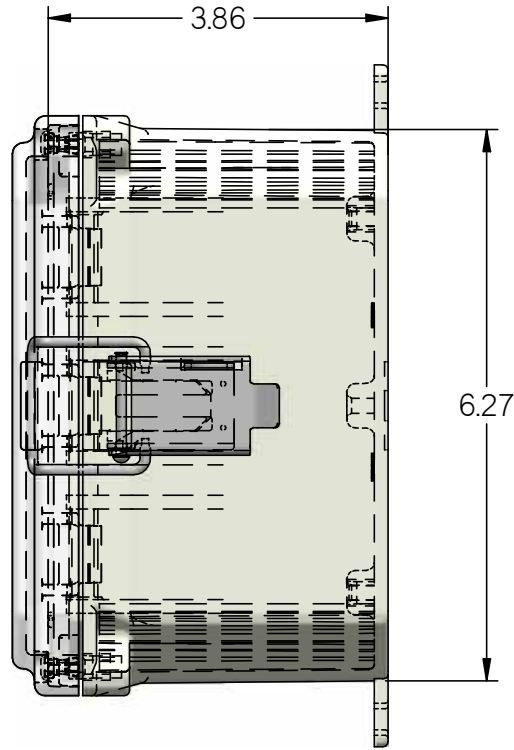
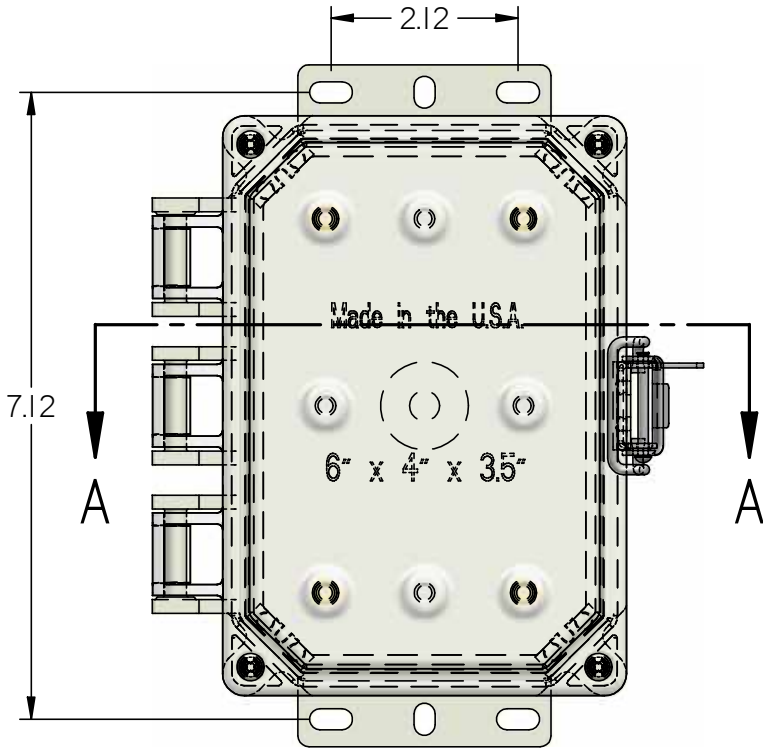
## Terms and Conditions of Sale

1. Orders become effective only when accepted and approved by Enclosure Solutions, Inc. (ESI). ESI's acceptance is expressly made conditional on the customer's agreement to these terms and conditions.
2. Payment terms are Net 30 with approved credit, payment in U.S. funds. Interest of 1.5% per month may be charged on overdue accounts. Credit cards are accepted and may be subject to an additional fee.
3. Orders of less than \$50.00 net value will be invoiced at \$50.00 plus transportation charges.
4. Freight allowance is based on a single order. Shipments will be complete without backorders. If a partial shipment is requested on freight allowed order, that partial shipment shall be shipped on a prepaid and charge basis.
5. Freight charges shall be prepaid and added to the invoice. Orders for international customers or customers in Hawaii or Alaska are shipped plus freight.
6. ESI products are sold FOB point of shipment and title shall pass upon delivery to the carrier. ESI is not responsible for any loss or damage incurred in transit and any claim must be made by the customer.
7. Shipment dates are provided based on current inventories and production plans. ESI is not responsible for any failure to deliver or for any delay in delivery incurred by accident, transportation delays, fires, explosions, floods, earthquakes, riots, strikes, or any other causes beyond ESI's reasonable control.
8. No materials may be returned without the express written approval of ESI. No goods may be returned after 90 days. Goods approved to be returned must be in sellable condition in original packaging. Return freight shall be paid by the customer. Returns are subject to a 20% restocking fee unless accompanied by a new order of greater or equal value.
9. Custom or modified products made to customer specifications are not returnable unless the return is made necessary due to ESI's failure to meet those specifications. "Custom products" specifically includes Universal Series enclosures built to dimensions other than those shown in the catalog, as well as all products in the TrueCustom product offering.
10. Orders for normal quantities of standard catalog items may be canceled without charge if written instructions are received by ESI in time to stop shipment. Cancellation of custom or modified products or standard products in quantities larger than normal which are in the process of manufacture will be accepted with the understanding that ESI will be reimbursed for expenses incurred related to the cancelled order.
11. ESI warrants that the materials sold are free of defects in material and workmanship at the time of shipment. The customer must notify ESI in writing within thirty days of receipt for any claimed defects or non-conforming materials. ESI's liability for any breach of this warranty shall be limited to either replacement of the materials or, at ESI's sole option, the refund of the purchase price. ESI shall not be held liable for any incidental or consequential damages caused by breach of warranty, breach of contract, negligence, strict liability in tort, or any other legal theory. In addition, ESI shall not be held liable for losses, delays, labor costs, or expense directly or indirectly arising from the use of materials. ESI's liability is expressly limited to the replacement or repair of defective goods, or the total value of such goods. This warranty is in lieu of all other warranties, whether express or implied, or oral including the implied warranty of merchantability, any implied warranty of fitness for a particular purpose, and any implied warranties otherwise arising from a course of dealing or trade.
12. Catalog weights and dimensions are careful estimates but are not guaranteed. Any clerical errors are subject to correction.
13. Should any clause of these Terms and Conditions be held unenforceable or unlawful, it is agreed that the clause in question shall be modified as to eliminate the unenforceable element and as so modified shall be binding on the parties. The remaining clauses and provisions shall not be affected.
14. Any assistance, suggestions, or technical advice provided by ESI or any agent thereof concerning dimensions, handling, installation, testing, storage, use or placement in service is an accommodation for which ESI shall have no liability unless expressly provided in writing by ESI and approved by an officer of the company.
15. This agreement is complete and contains the entire contract between the parties, and may not be modified except in writing by both parties. No employee, agent, or representative of ESI has the authority to add, waive, or amend this contract unless first authorized by an officer of ESI. This agreement shall be construed under the laws of the State of Ohio. Waiver of ESI of any breach shall not thereafter be deemed waiver of a subsequent breach of the same or any other provision thereof.





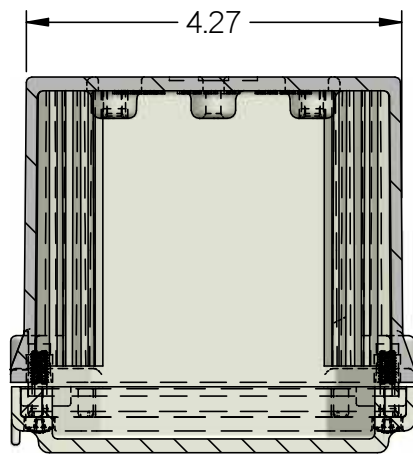
SECTION A-A



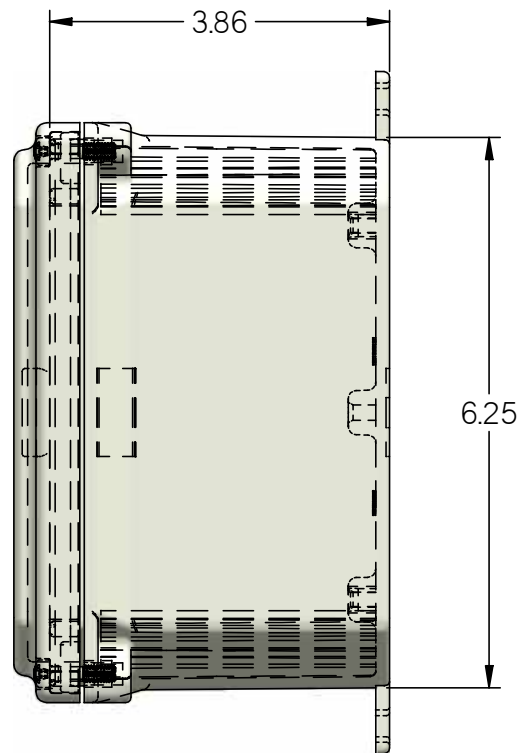
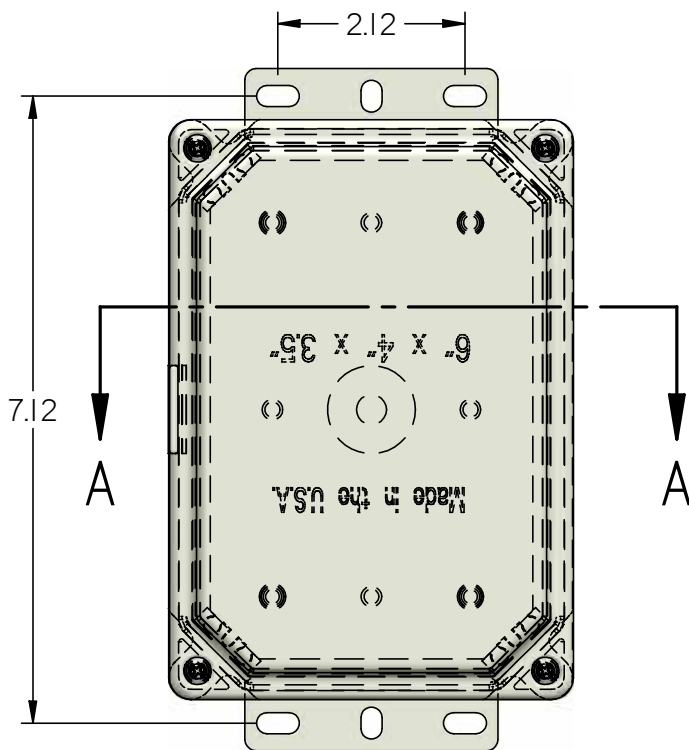
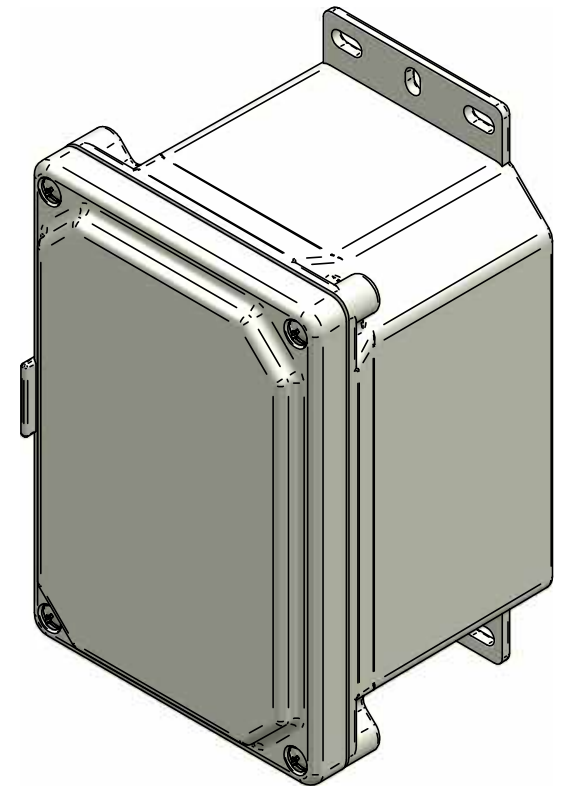
**Enclosure**  
**Solutions, Inc.**

1-800-475-8308 [www.enclosure-solutions.com](http://www.enclosure-solutions.com)

PC060435JCLB

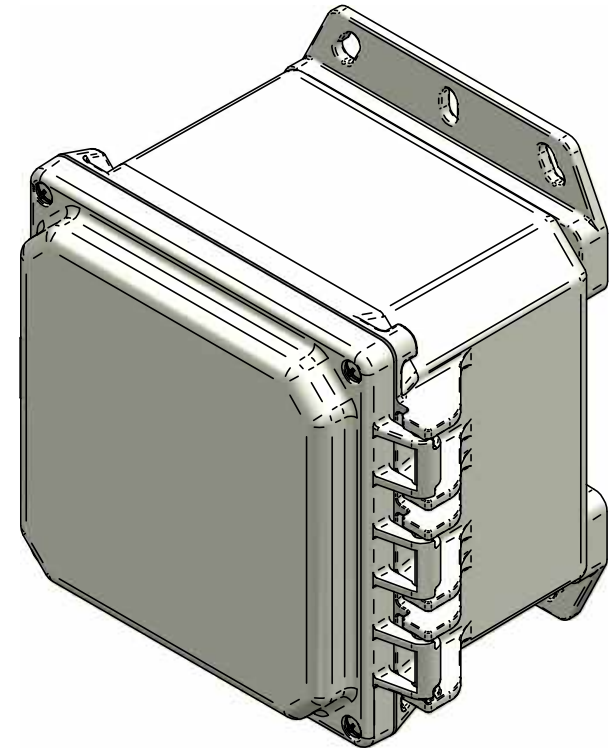
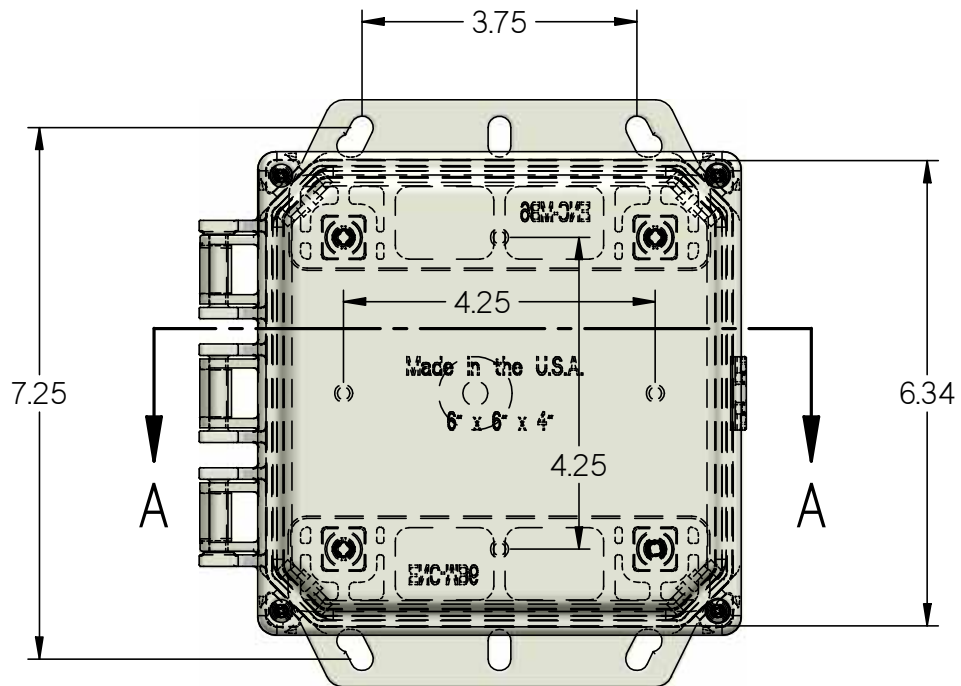
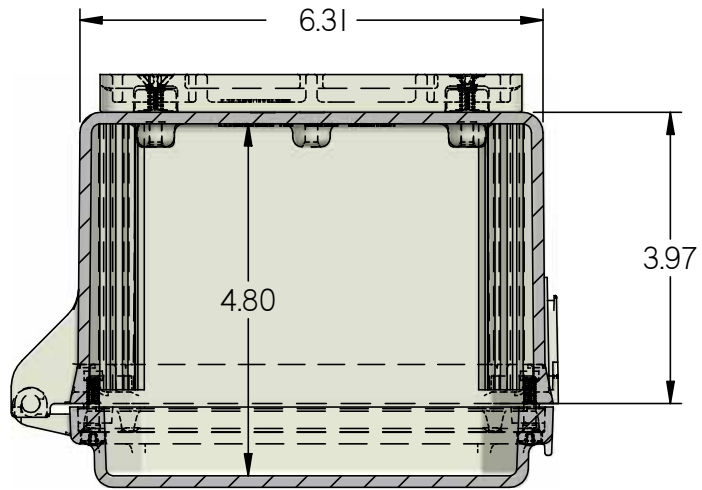


SECTION A-A



1-800-475-8308 [www.enclosure-solutions.com](http://www.enclosure-solutions.com)

PC060435JOSB

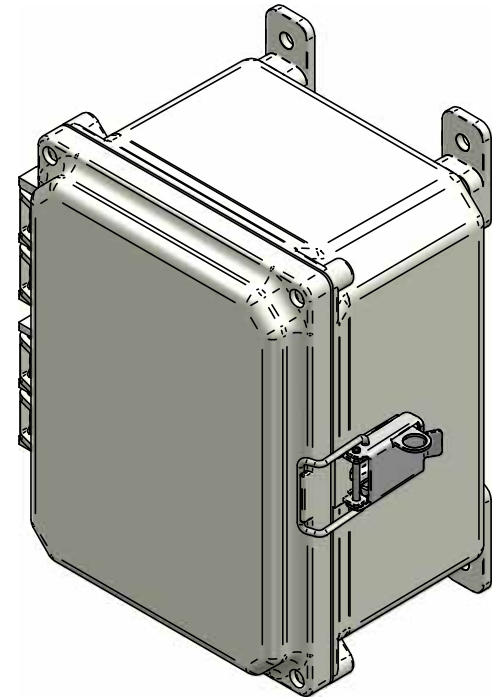
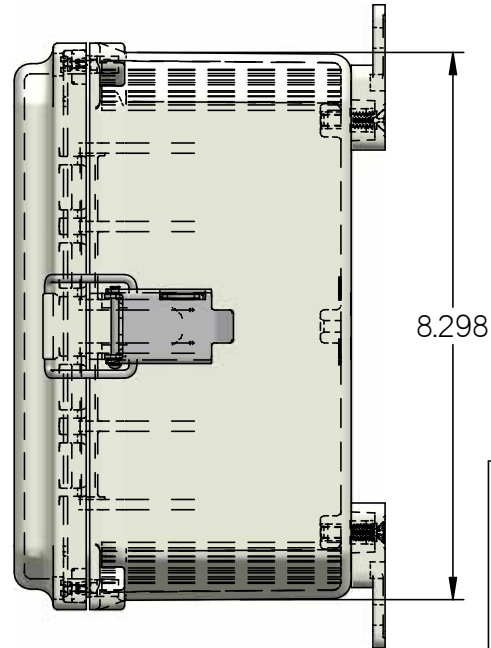
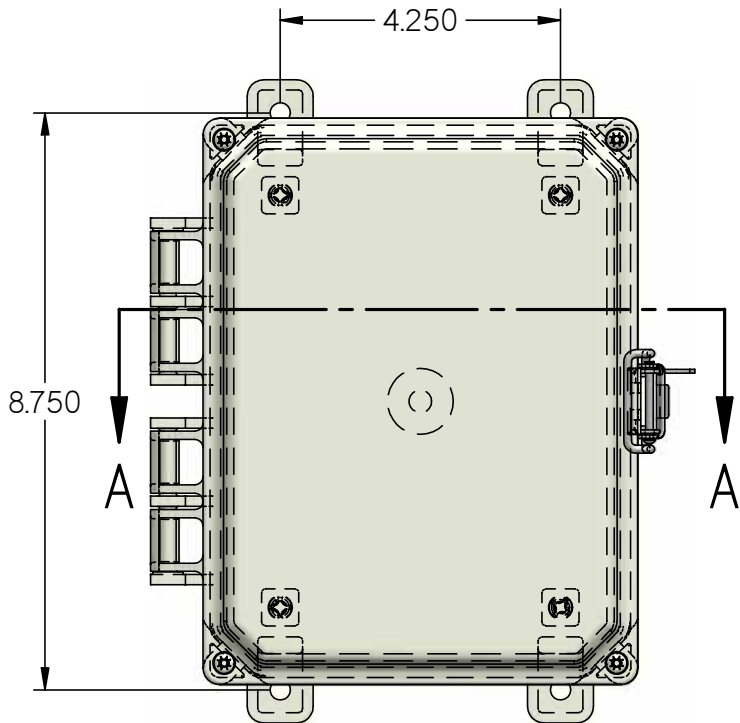
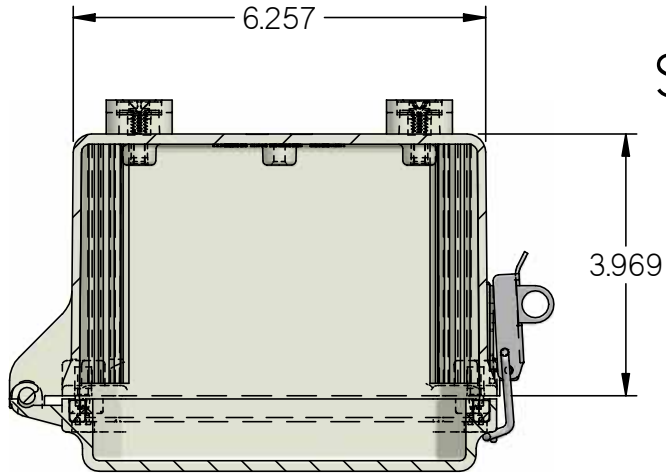


**ENCLOSURE  
SOLUTIONS Inc.**

2652 Eaton Road University Heights, OH 44118  
216 789 3814 [www.enclosure-solutions.com](http://www.enclosure-solutions.com)

**PC060604HOSB**

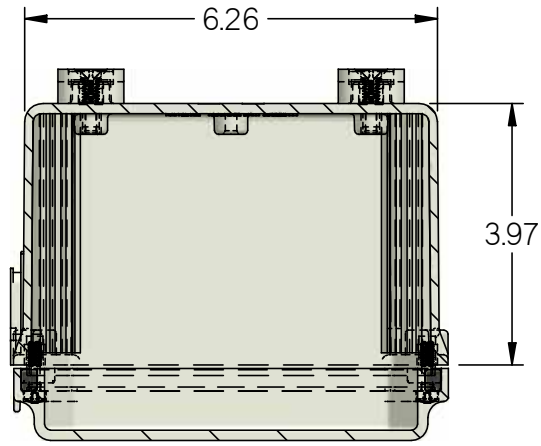
SECTION A-A



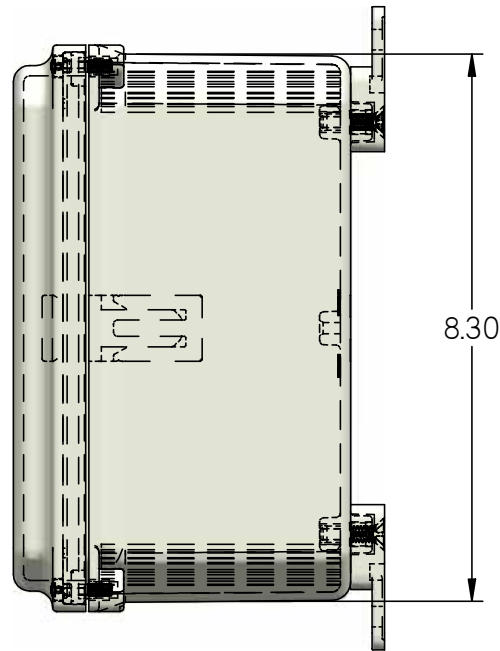
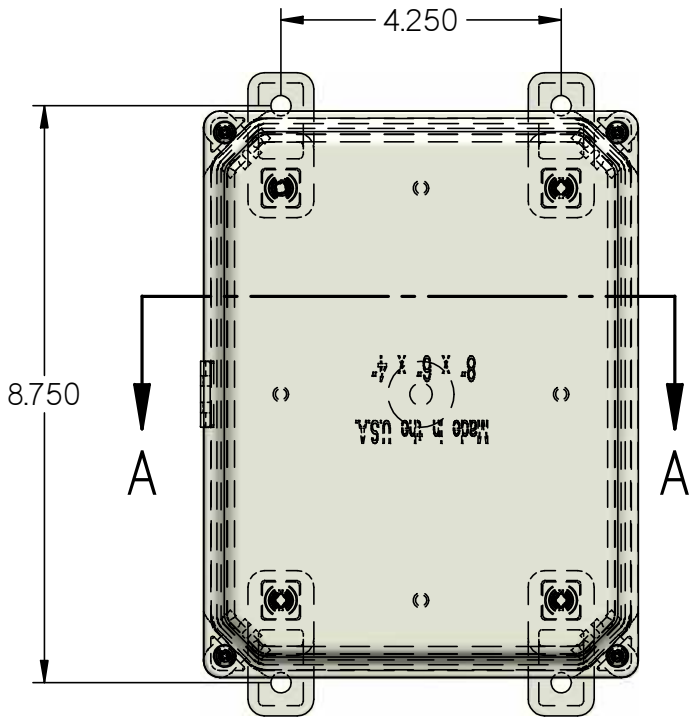
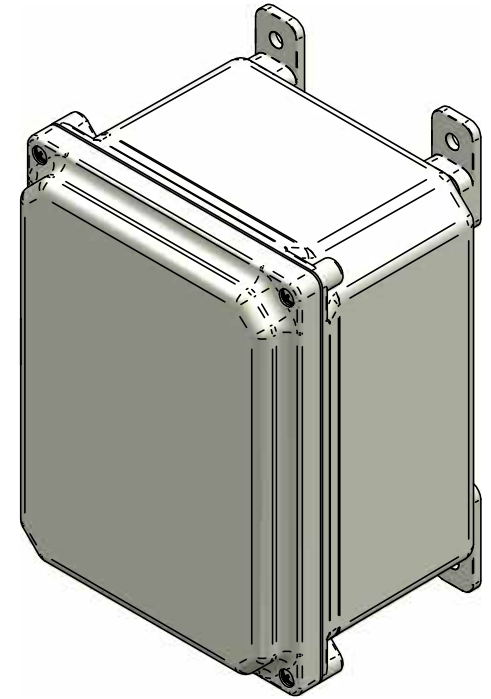
**ENCLOSURE  
SOLUTIONS Inc.**

2652 Eaton Road University Heights, OH 44118  
216 789 3814 [www.enclosure-solutions.com](http://www.enclosure-solutions.com)

**PC080604HOLF**

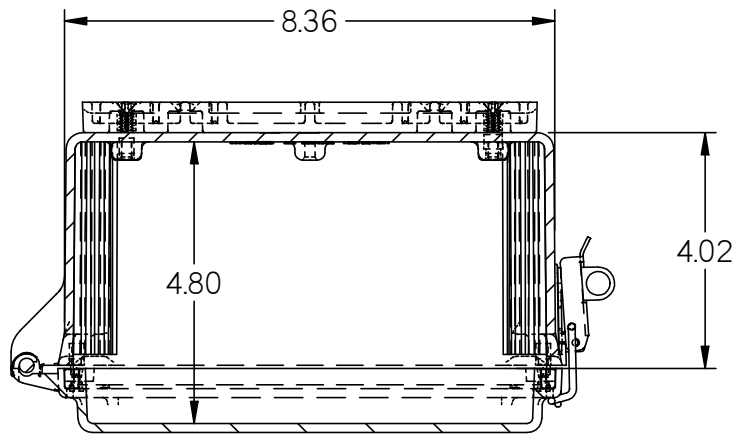


SECTION A-A

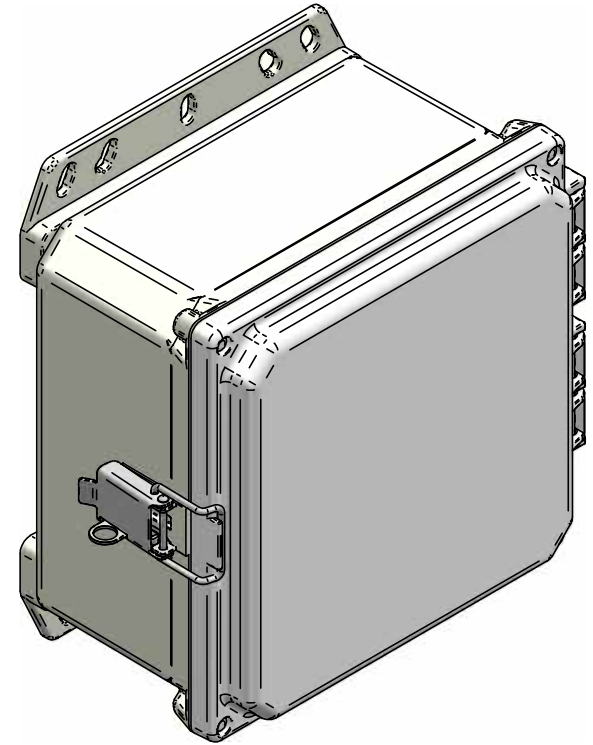
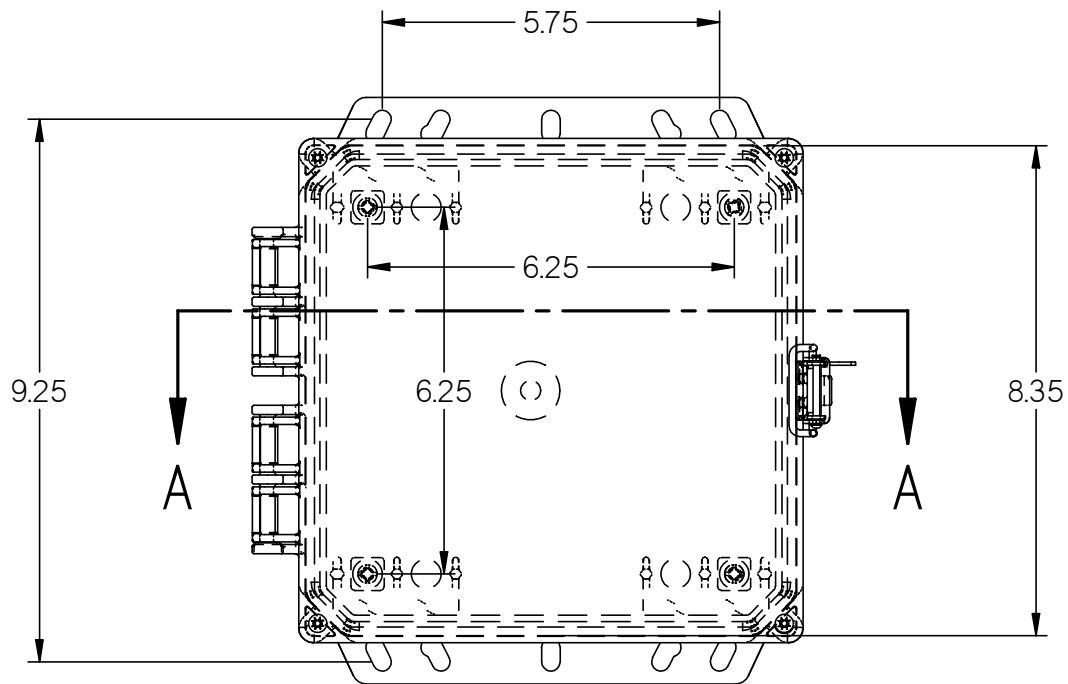


**ENCLOSURE SOLUTIONS Inc.**  
 2652 Eaton Road University Heights, OH 44118  
 216 789 3814 [www.enclosure-solutions.com](http://www.enclosure-solutions.com)

**PC080604JOSF**



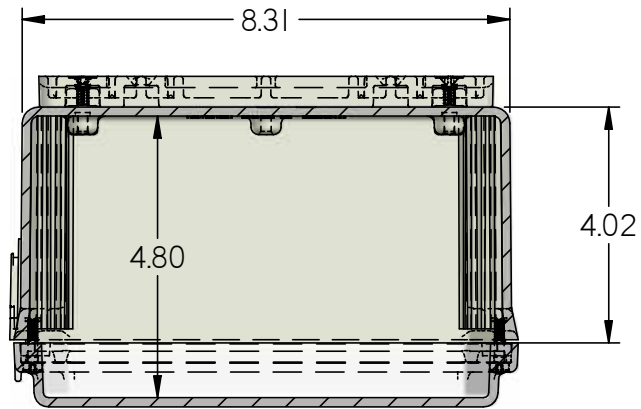
SECTION A-A



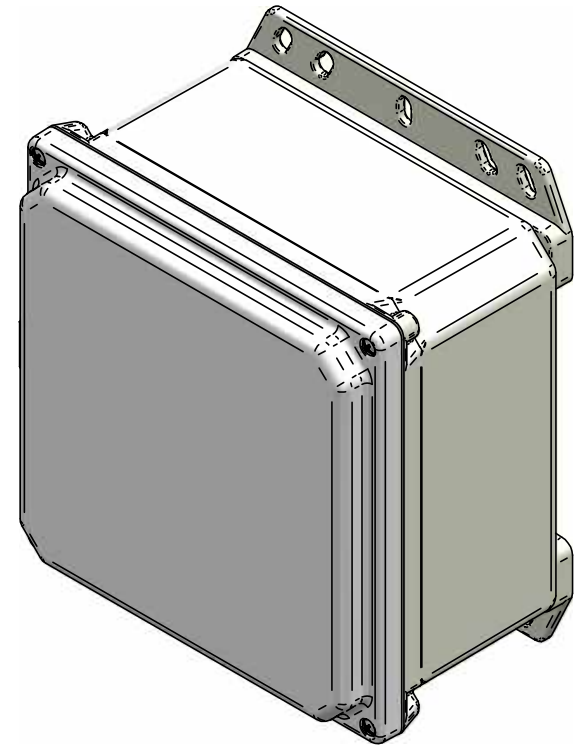
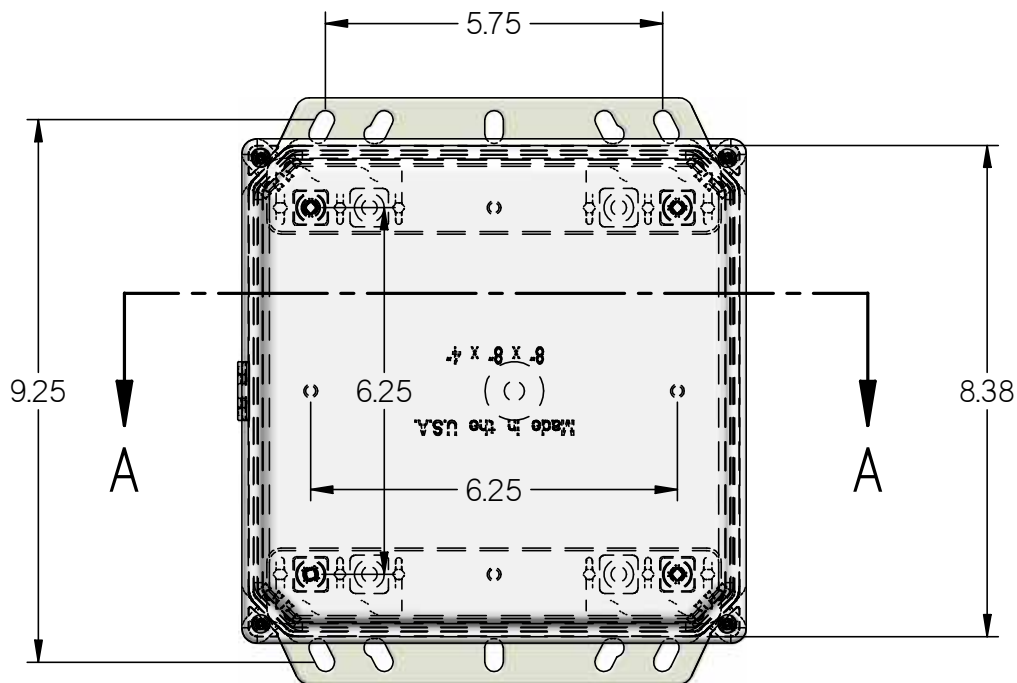
**ENCLOSURE  
SOLUTIONS Inc.**

2652 Eaton Road University Heights, OH 44118  
216 789 3814 [www.enclosure-solutions.com](http://www.enclosure-solutions.com)

**PC8X8X4HOLB**



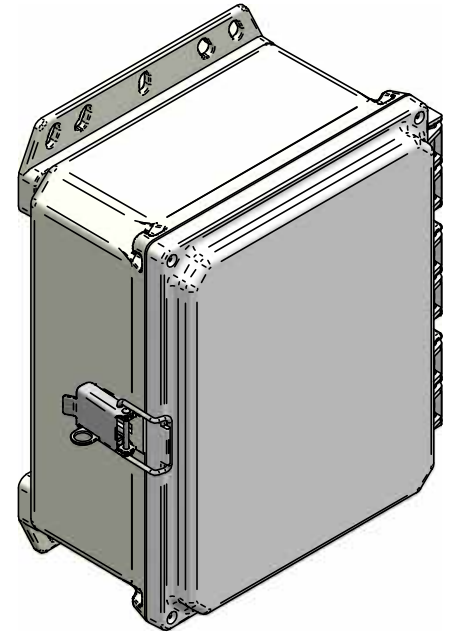
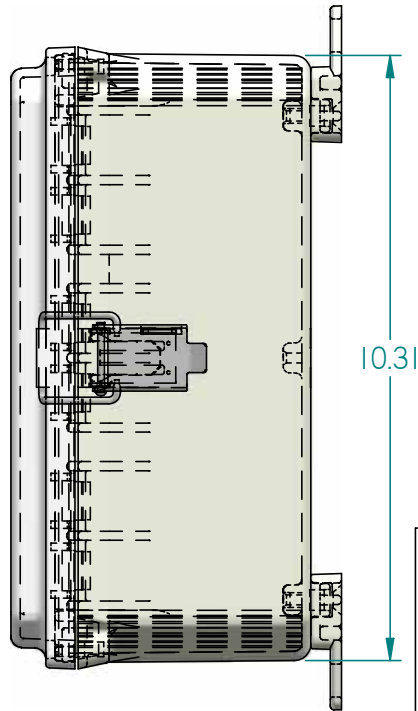
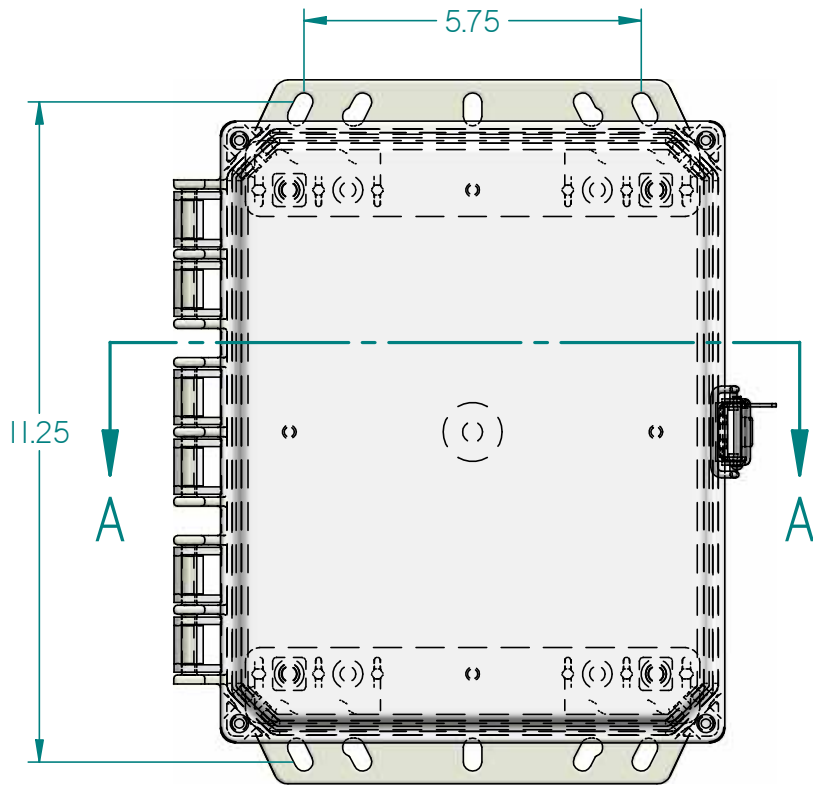
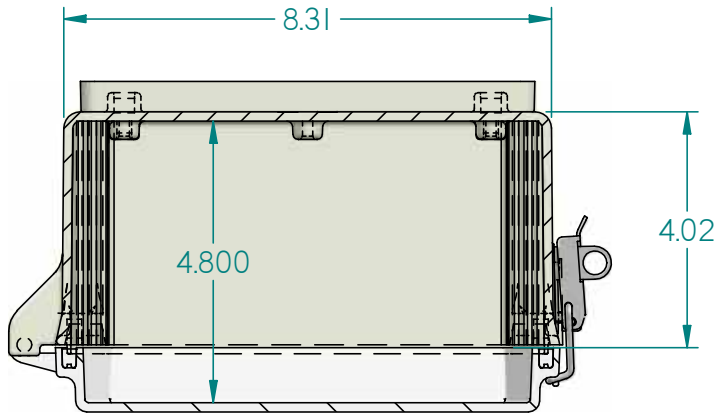
SECTION A-A



**ENCLOSURE  
SOLUTIONS Inc.**

2652 Eaton Road University Heights, OH 44118  
216 789 3814 [www.enclosure-solutions.com](http://www.enclosure-solutions.com)

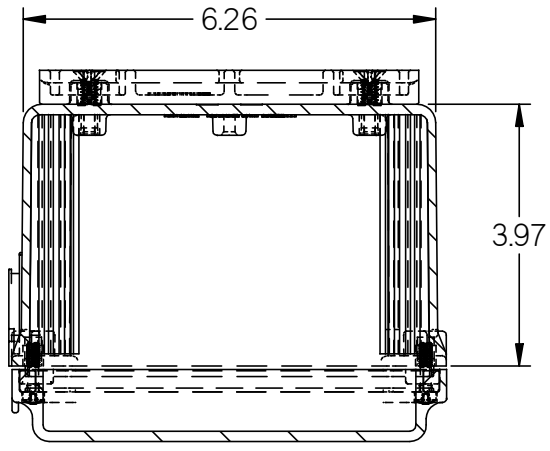
**PC8X8X4JOSB**



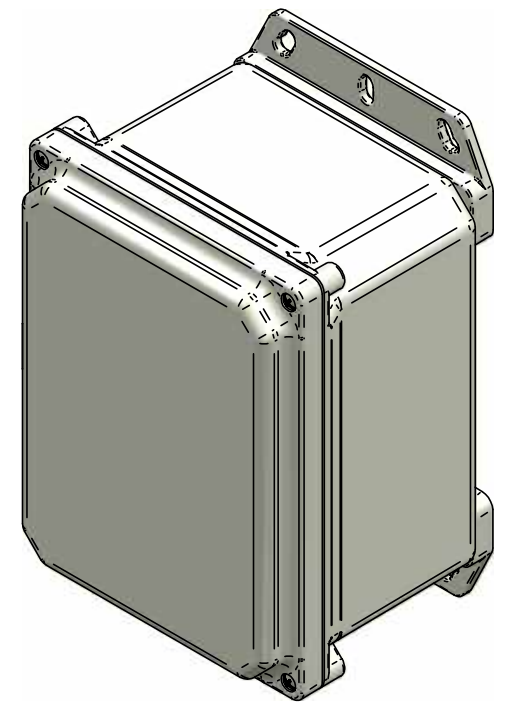
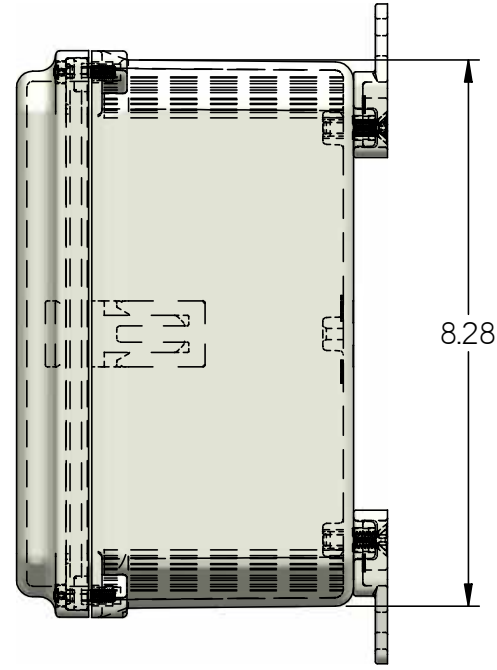
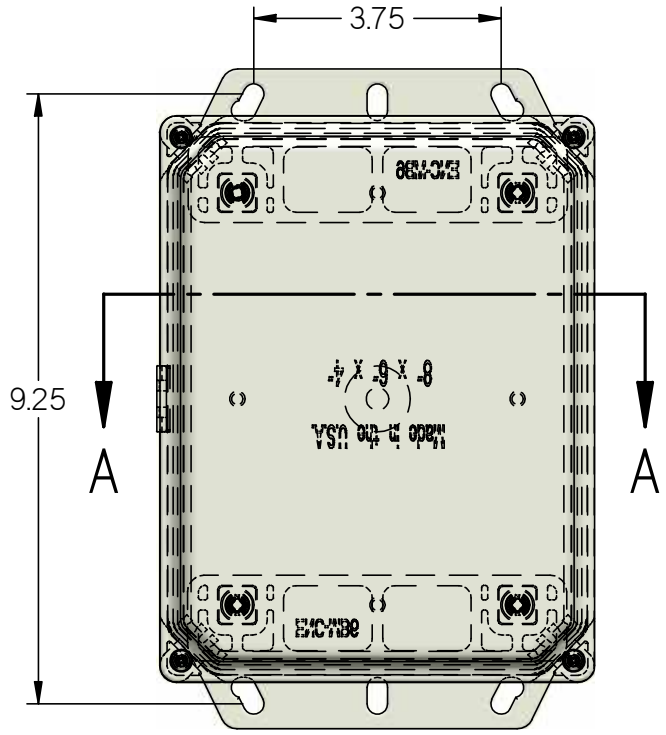
**ENCLOSURE SOLUTIONS Inc.**  
2652 Eaton Road University Heights, OH 44118  
216 789 3814 [www.enclosure-solutions.com](http://www.enclosure-solutions.com)

**PC100804HOLB**





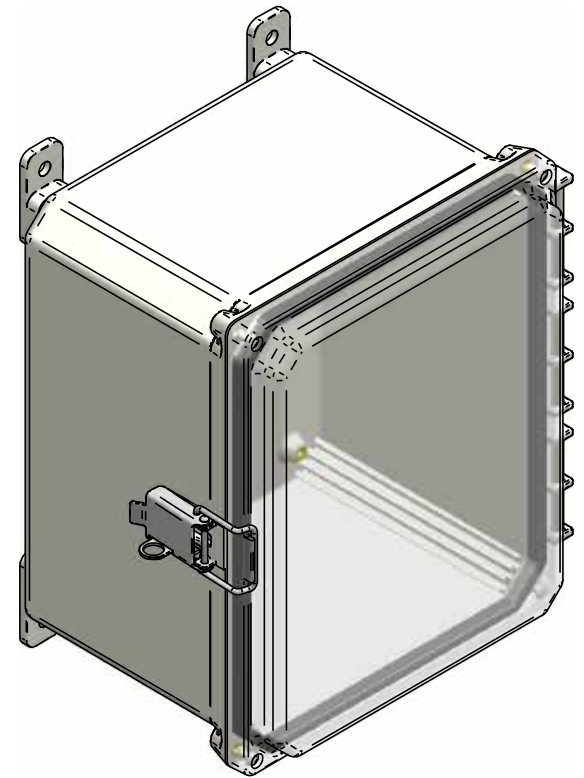
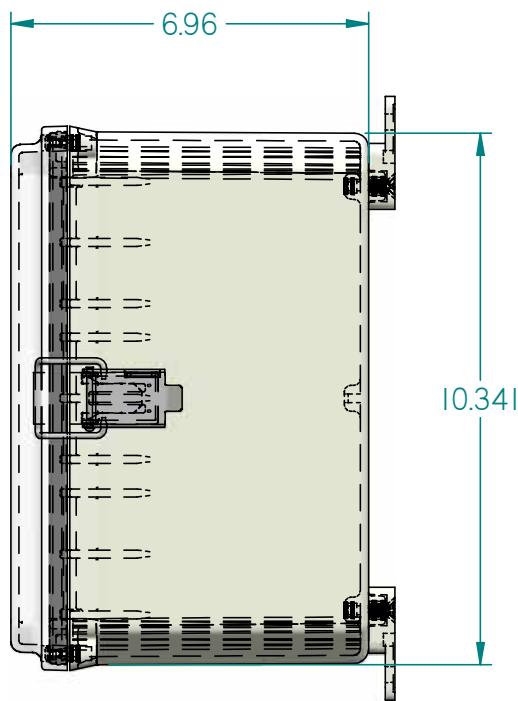
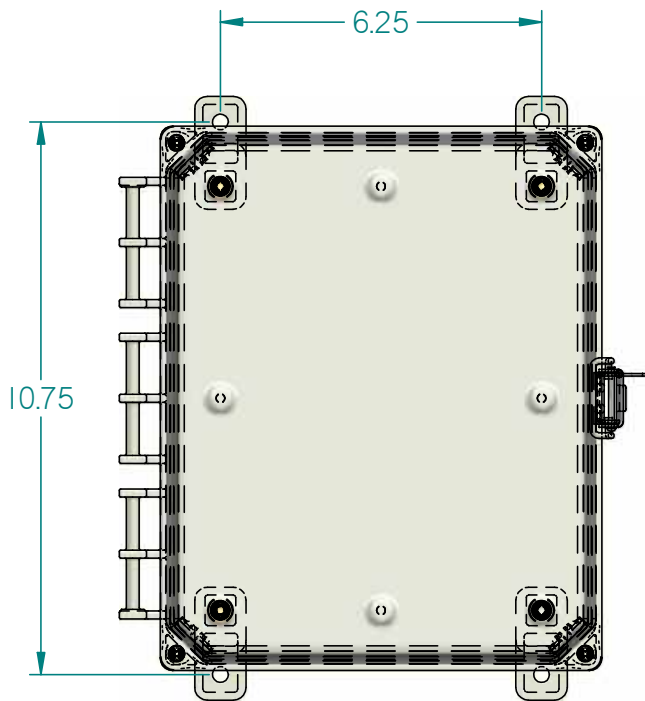
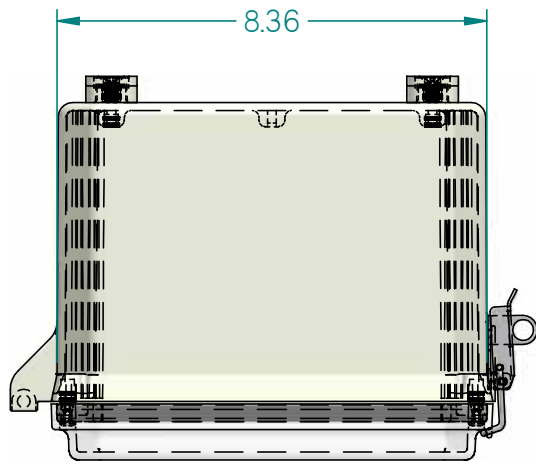
SECTION A-A



**ENCLOSURE SOLUTIONS Inc.**  
 2652 Eaton Road University Heights, OH 44118  
 216 789 3814 [www.enclosure-solutions.com](http://www.enclosure-solutions.com)

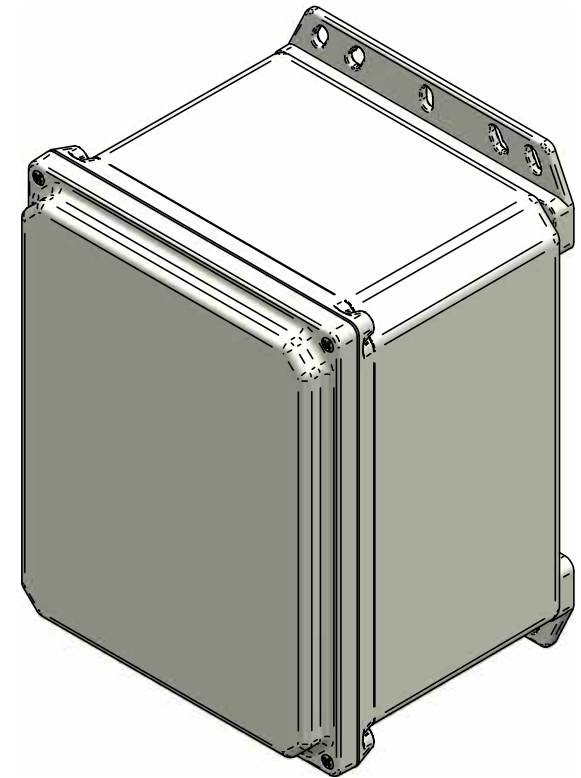
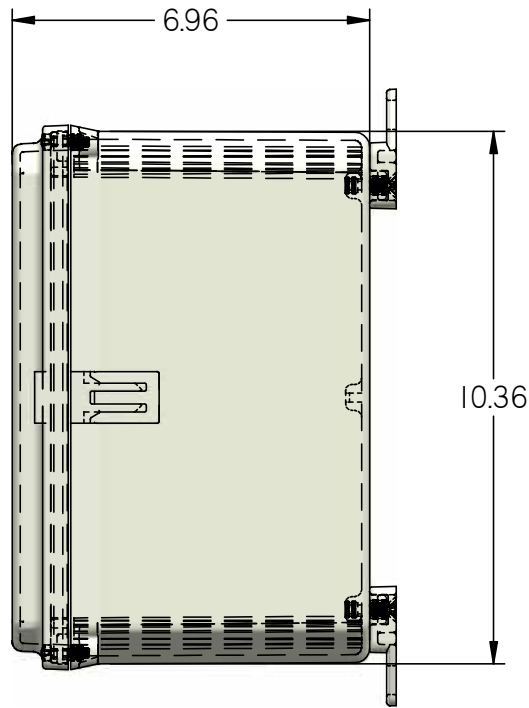
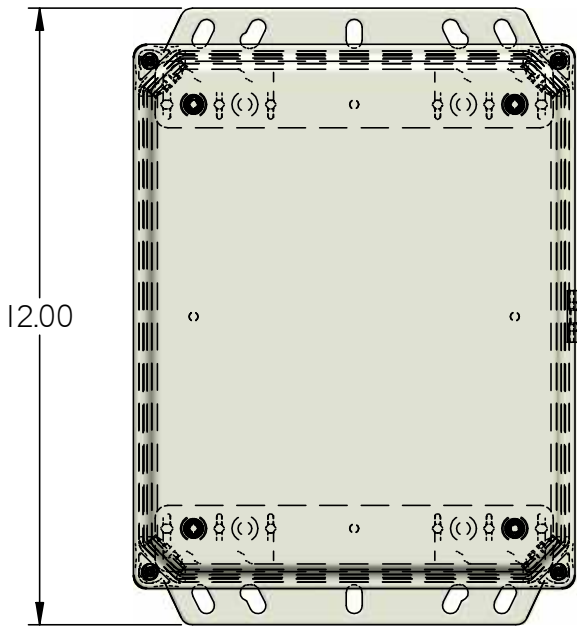
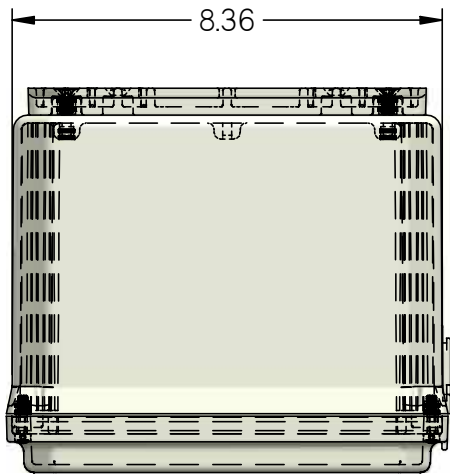
---

**PC080604JOSB**



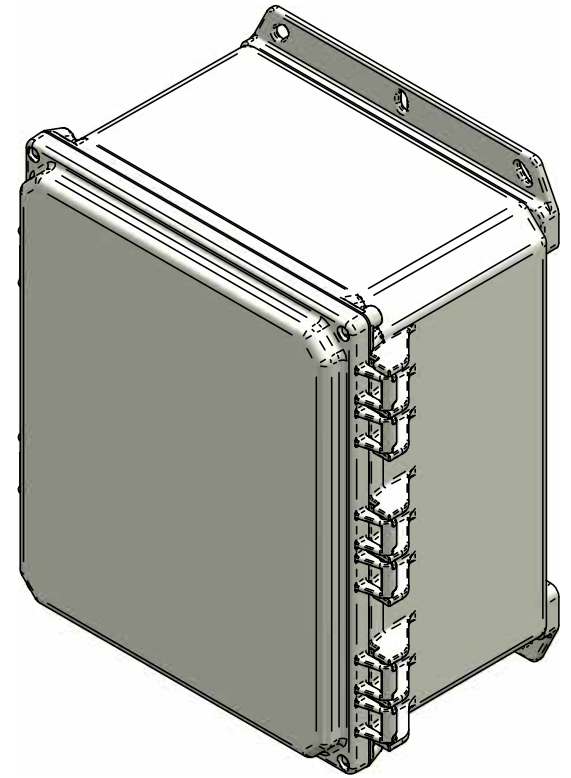
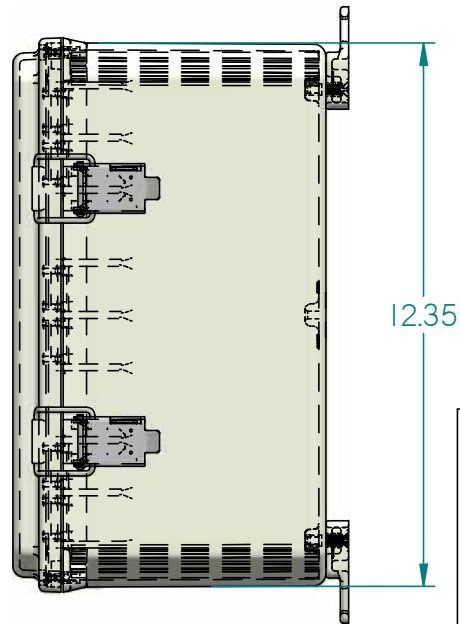
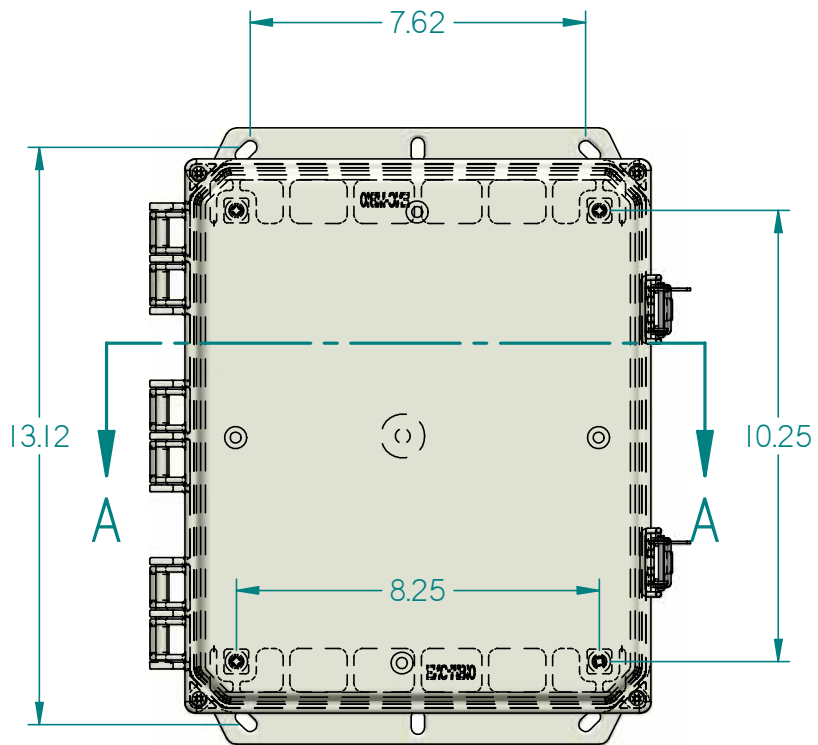
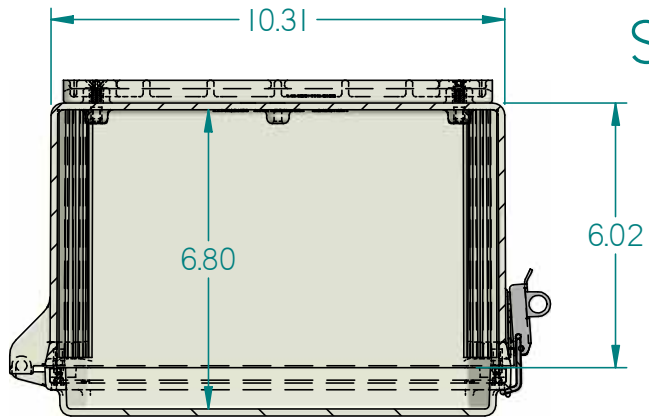
**ENCLOSURE  
SOLUTIONS Inc.**  
2652 Eaton Road University Heights, OH 44118  
216 789 3814 [www.enclosure-solutions.com](http://www.enclosure-solutions.com)

**PC100806HCLF**



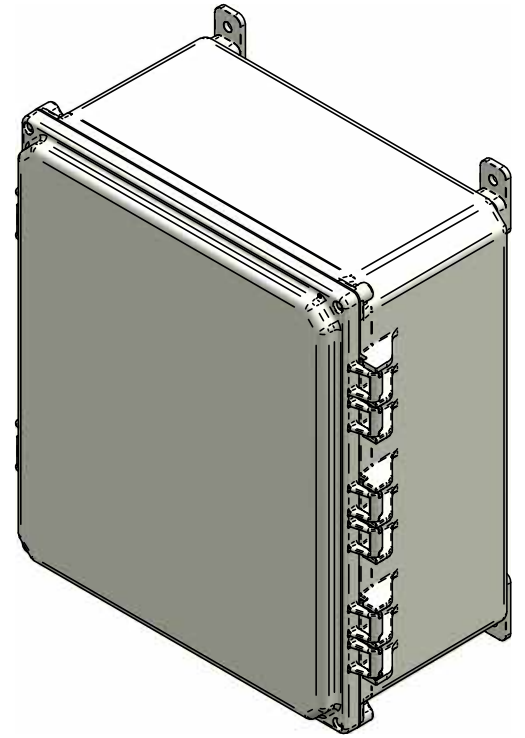
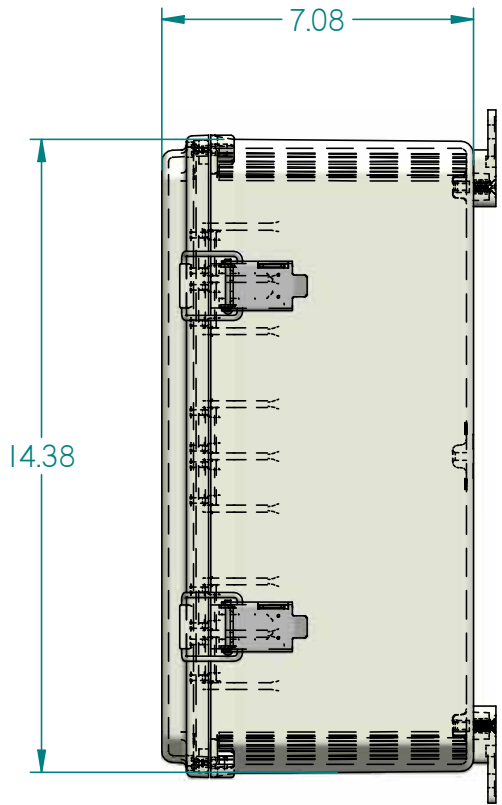
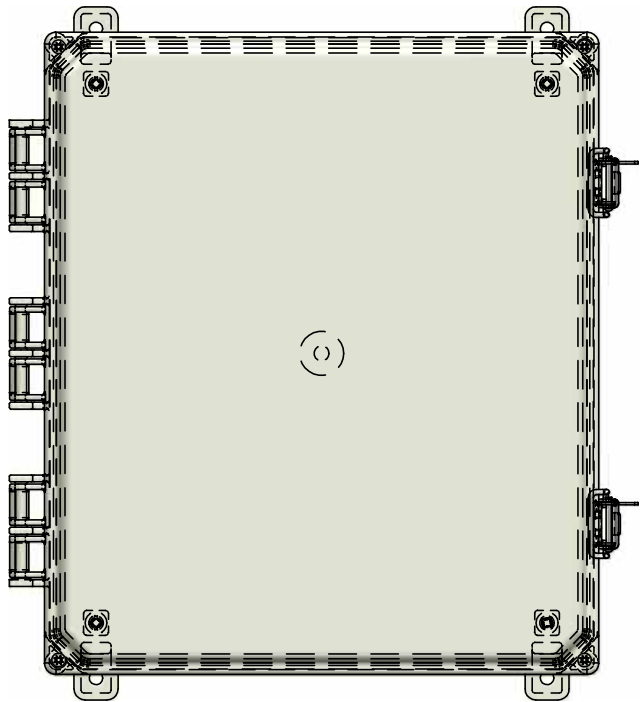
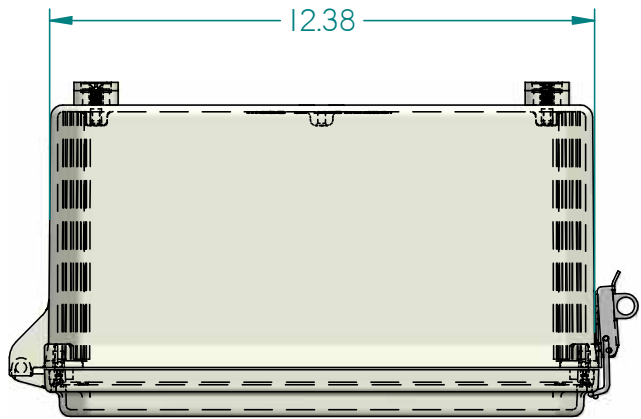
**ENCLOSURE  
SOLUTIONS Inc.**  
2652 Eaton Road University Heights, OH 44118  
216 789 3814 [www.enclosure-solutions.com](http://www.enclosure-solutions.com)

**PC100806JOSB**



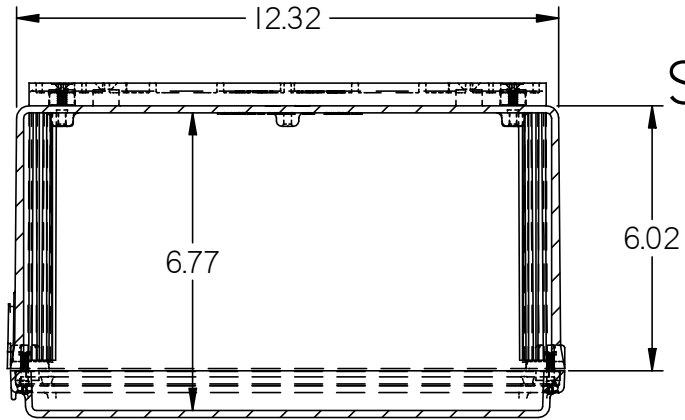
**ENCLOSURE SOLUTIONS Inc.**  
2652 Eaton Road University Heights, OH 44118  
216 789 3814 [www.enclosure-solutions.com](http://www.enclosure-solutions.com)

**PC121006HOLB**

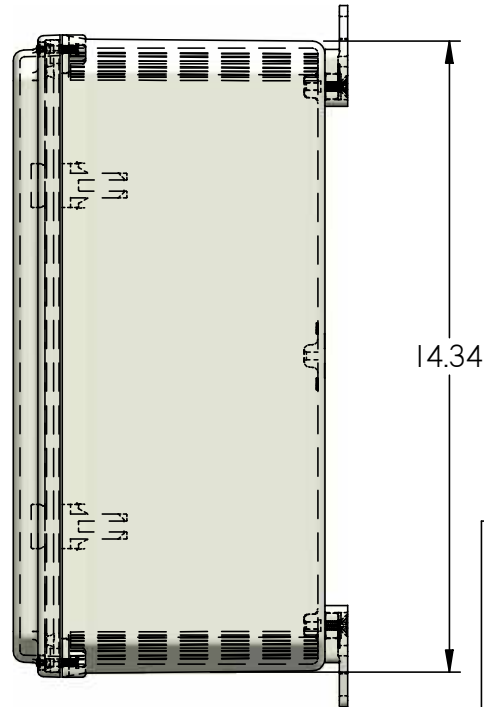
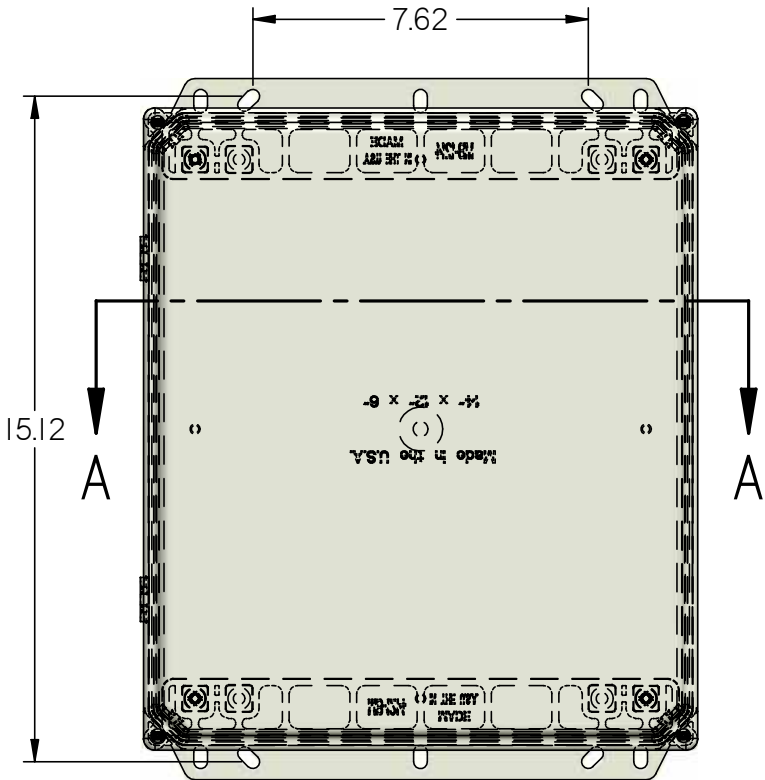
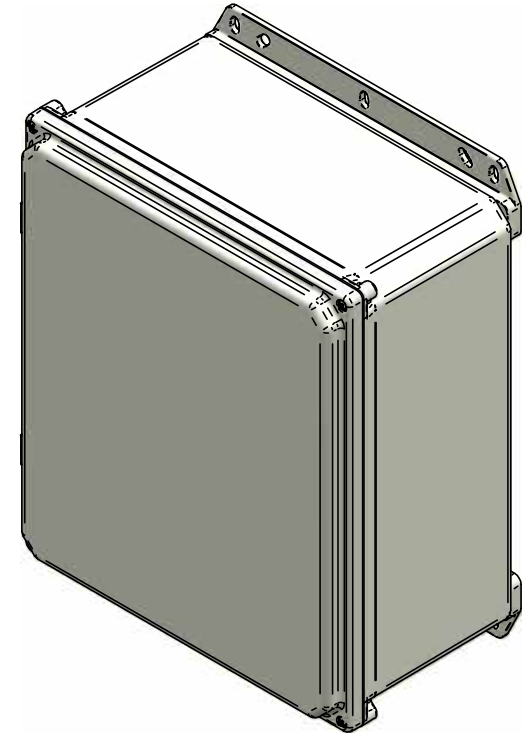


**ENCLOSURE  
SOLUTIONS Inc.**  
2652 Eaton Road University Heights, OH 44118  
216 789 3814 [www.enclosure-solutions.com](http://www.enclosure-solutions.com)

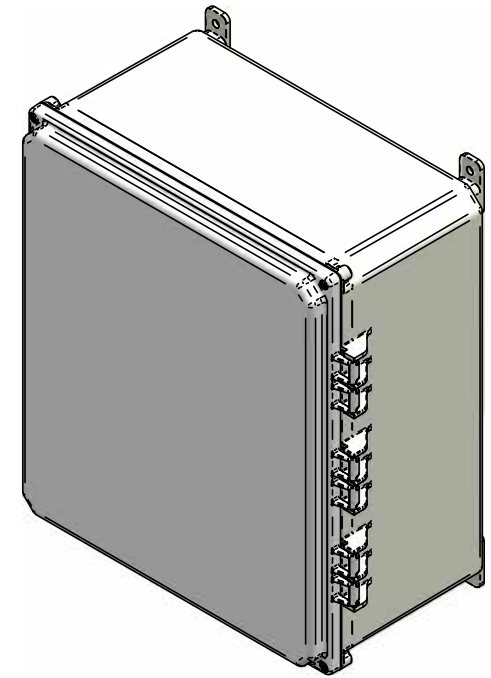
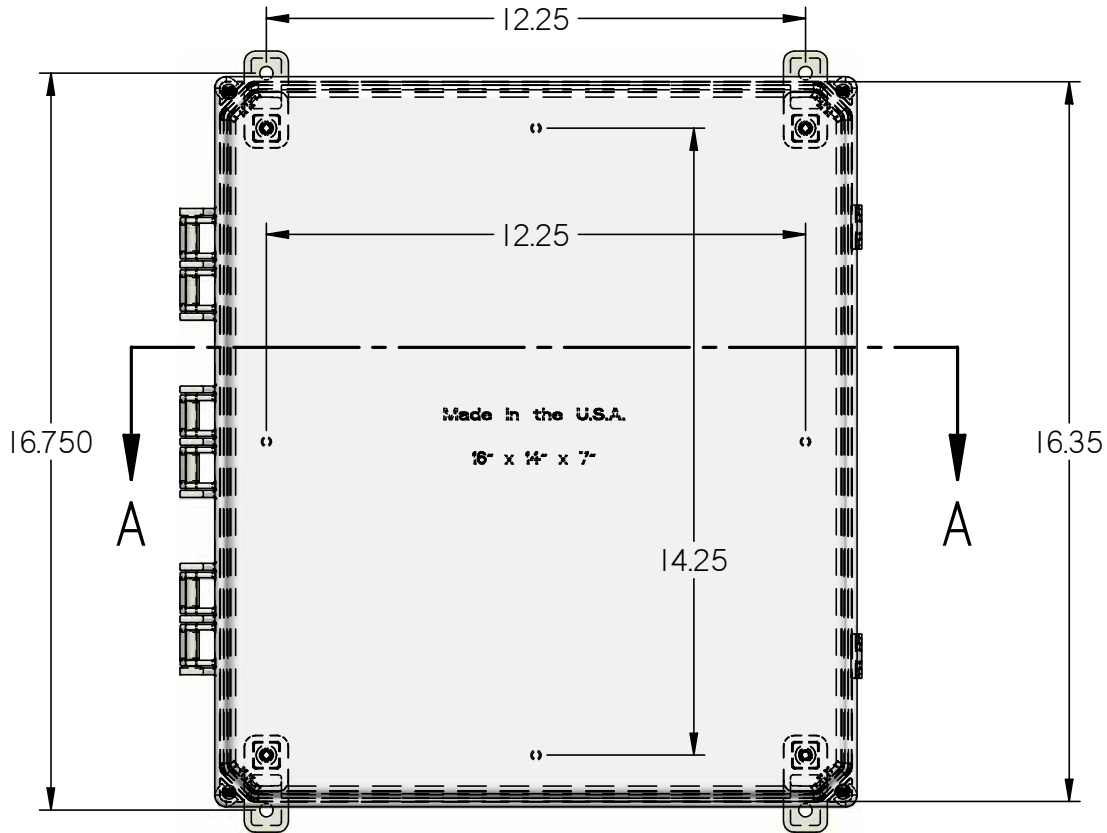
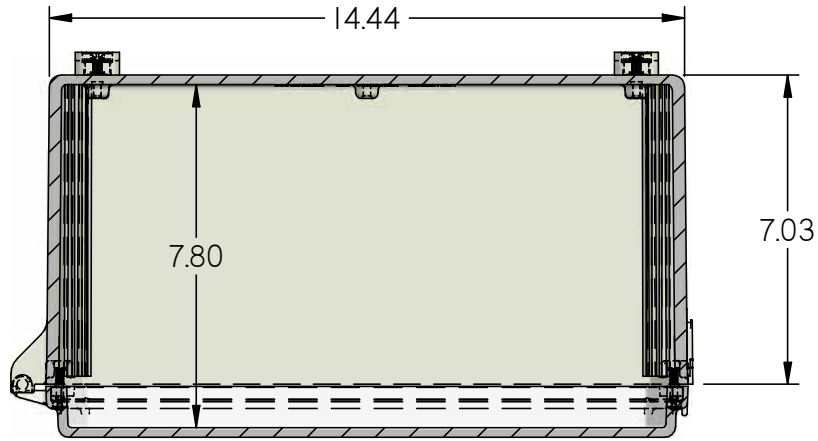
**PC141206HOLF**



SECTION A-A

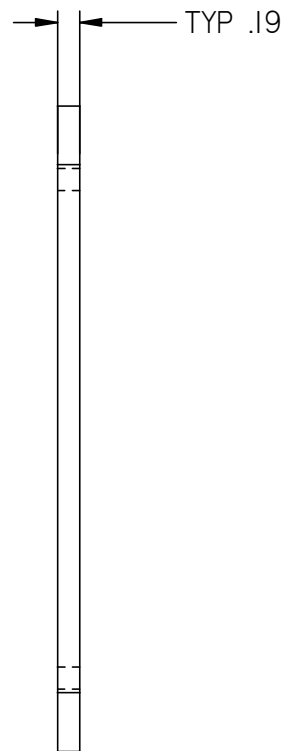
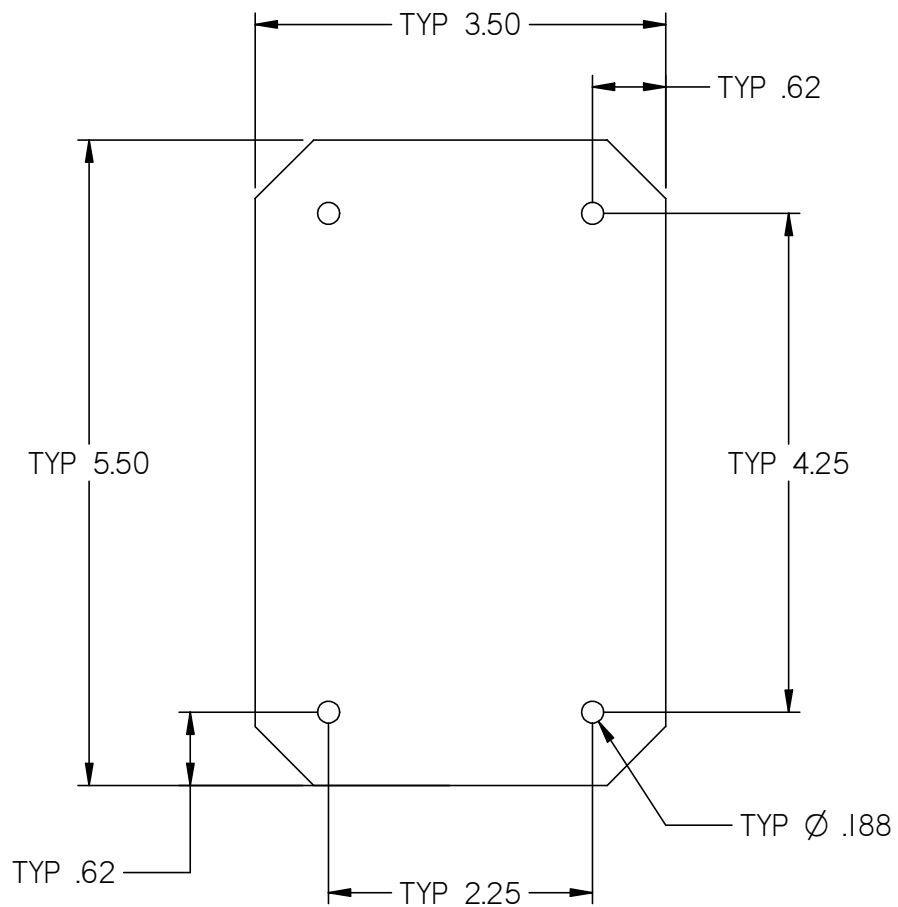


**ENCLOSURE SOLUTIONS Inc.**  
 2652 Eaton Road University Heights, OH 44118  
 216 789 3814 [www.enclosure-solutions.com](http://www.enclosure-solutions.com)  
**PC141206JOSB**



**ENCLOSURE SOLUTIONS Inc.**  
 2652 Eaton Road University Heights, OH 44118  
 216 789 3814 [www.enclosure-solutions.com](http://www.enclosure-solutions.com)

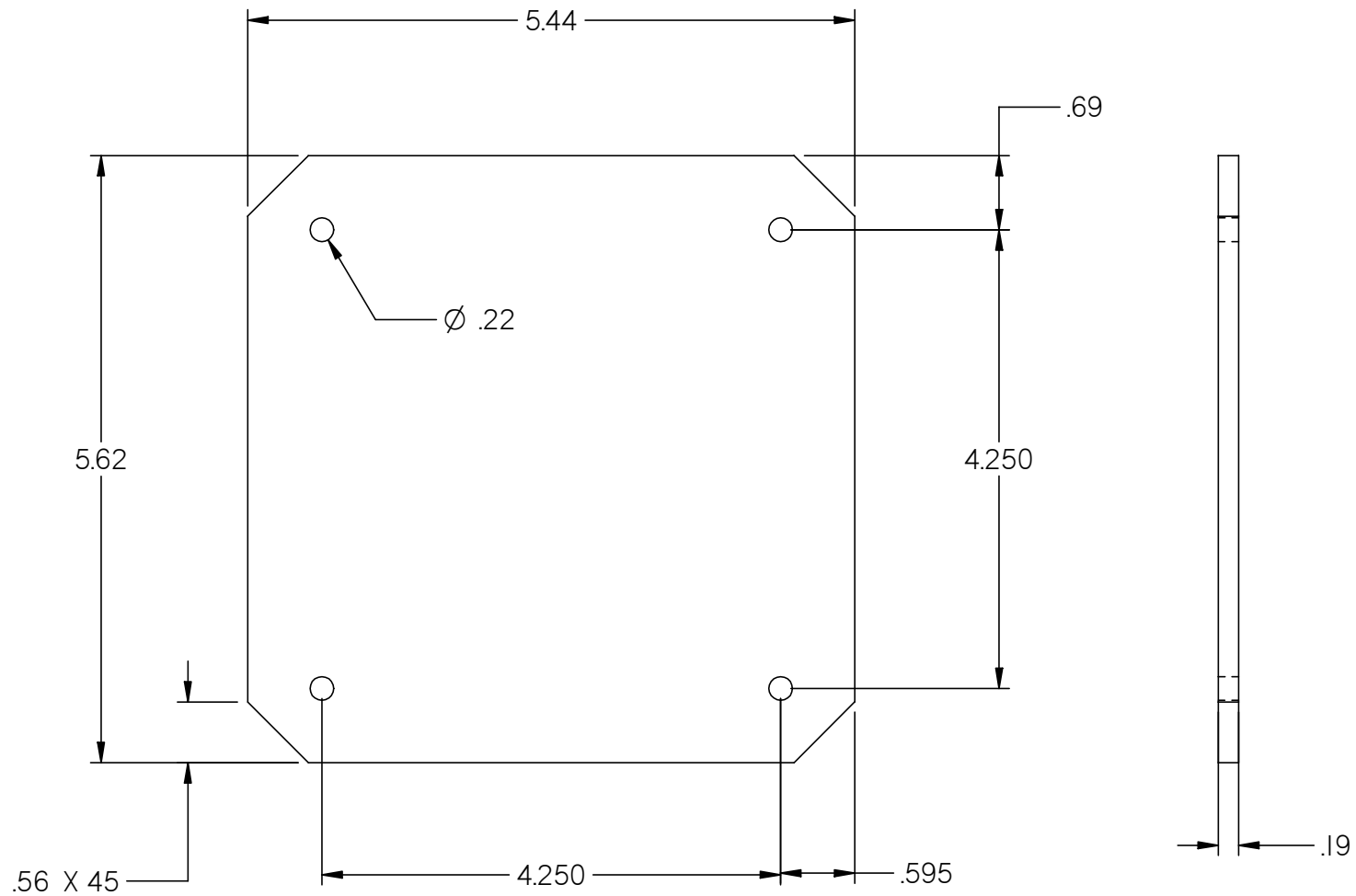
**PC161407HOSF**



**ENCLOSURE SOLUTIONS Inc.**  
2652 Eaton Road University Heights, OH 44118  
216 789 3814 [www.enclosure-solutions.com](http://www.enclosure-solutions.com)

**ABP-0604 PANEL**



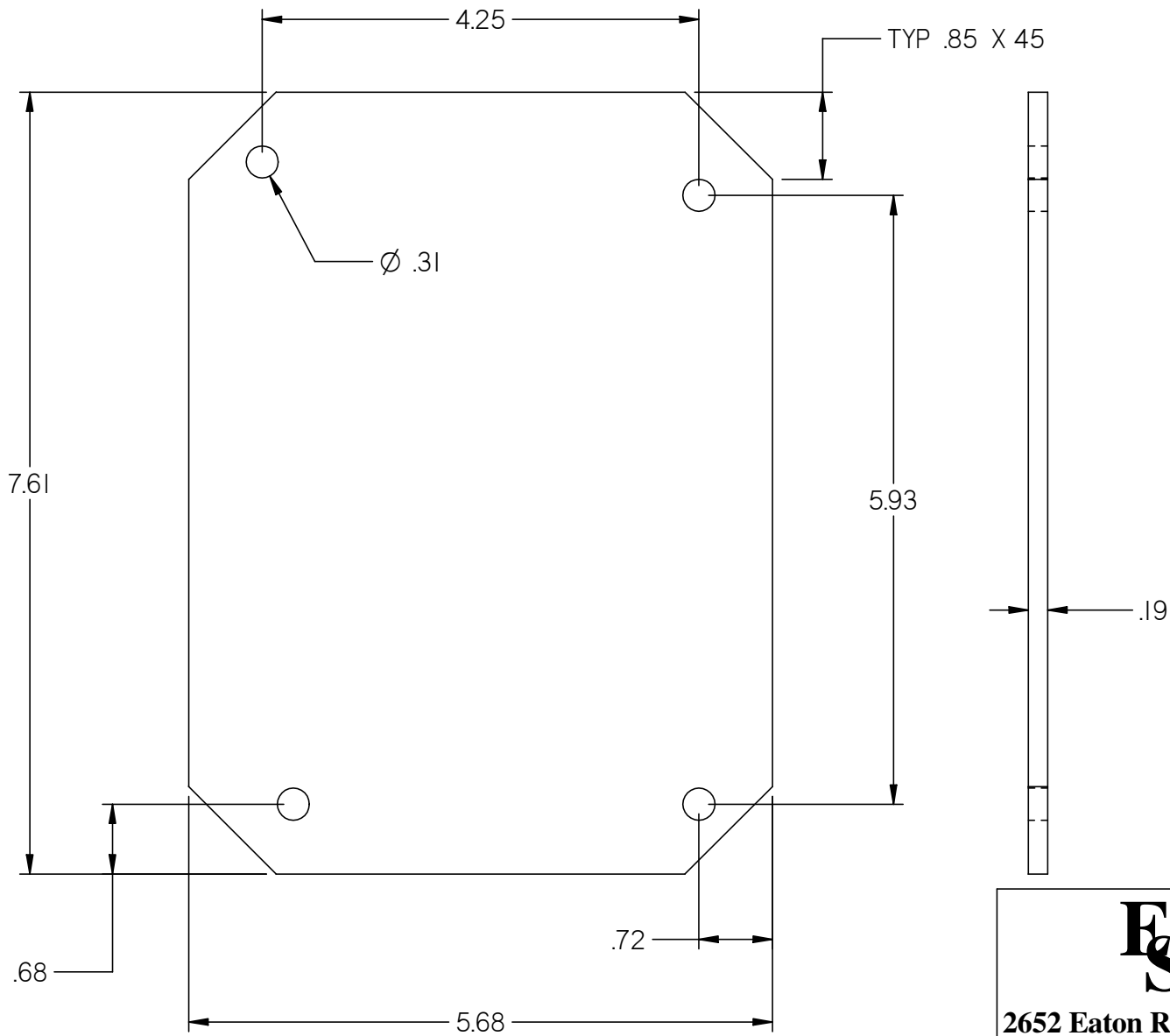


Rev 1: 9/26/2019



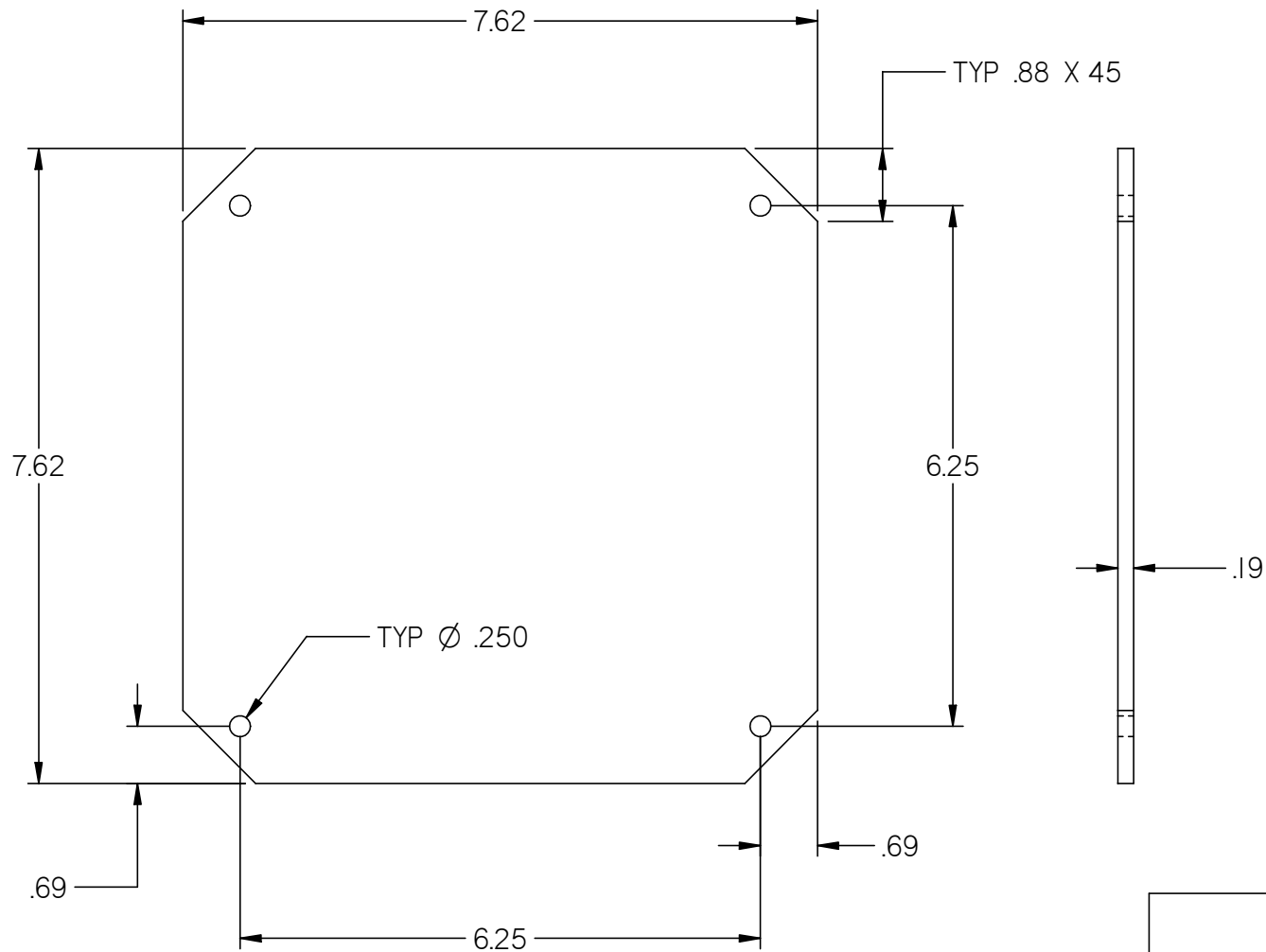
1-800-475-8308 [www.enclosure-solutions.com](http://www.enclosure-solutions.com)

**ABP-0606 PANEL**



**ENCLOSURE SOLUTIONS Inc.**  
2652 Eaton Road University Heights, OH 44118  
216 789 3814 [www.enclosure-solutions.com](http://www.enclosure-solutions.com)

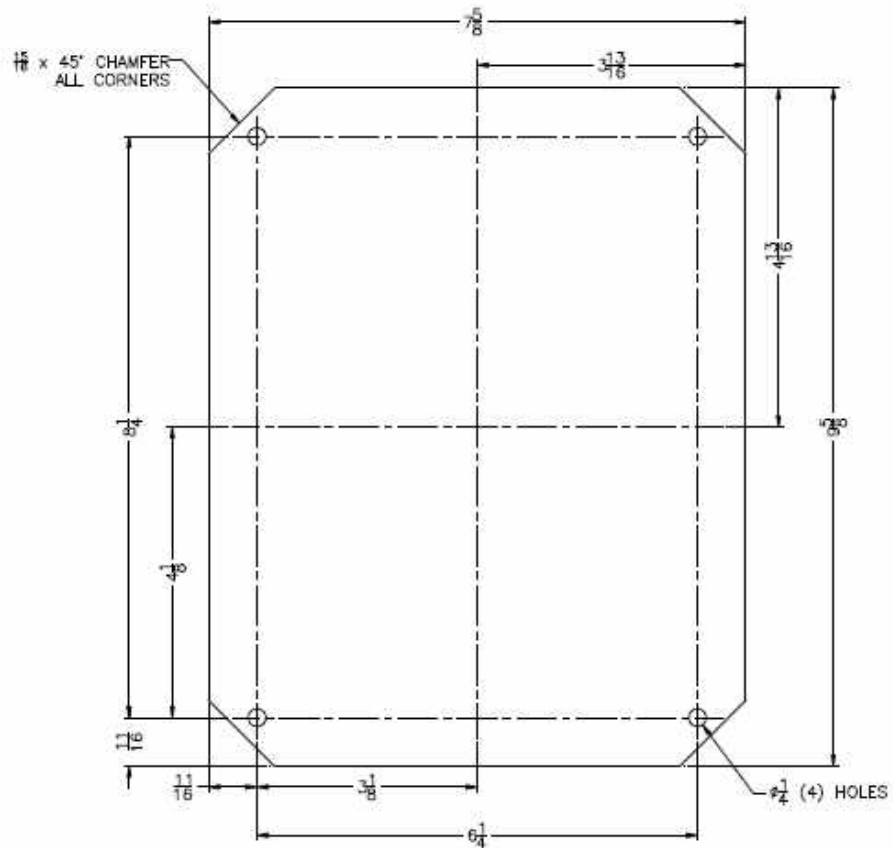
**ABP-8X6**



**ENCLOSURE SOLUTIONS Inc.**  
 2652 Eaton Road University Heights, OH 44118  
 216 789 3814 [www.enclosure-solutions.com](http://www.enclosure-solutions.com)

---

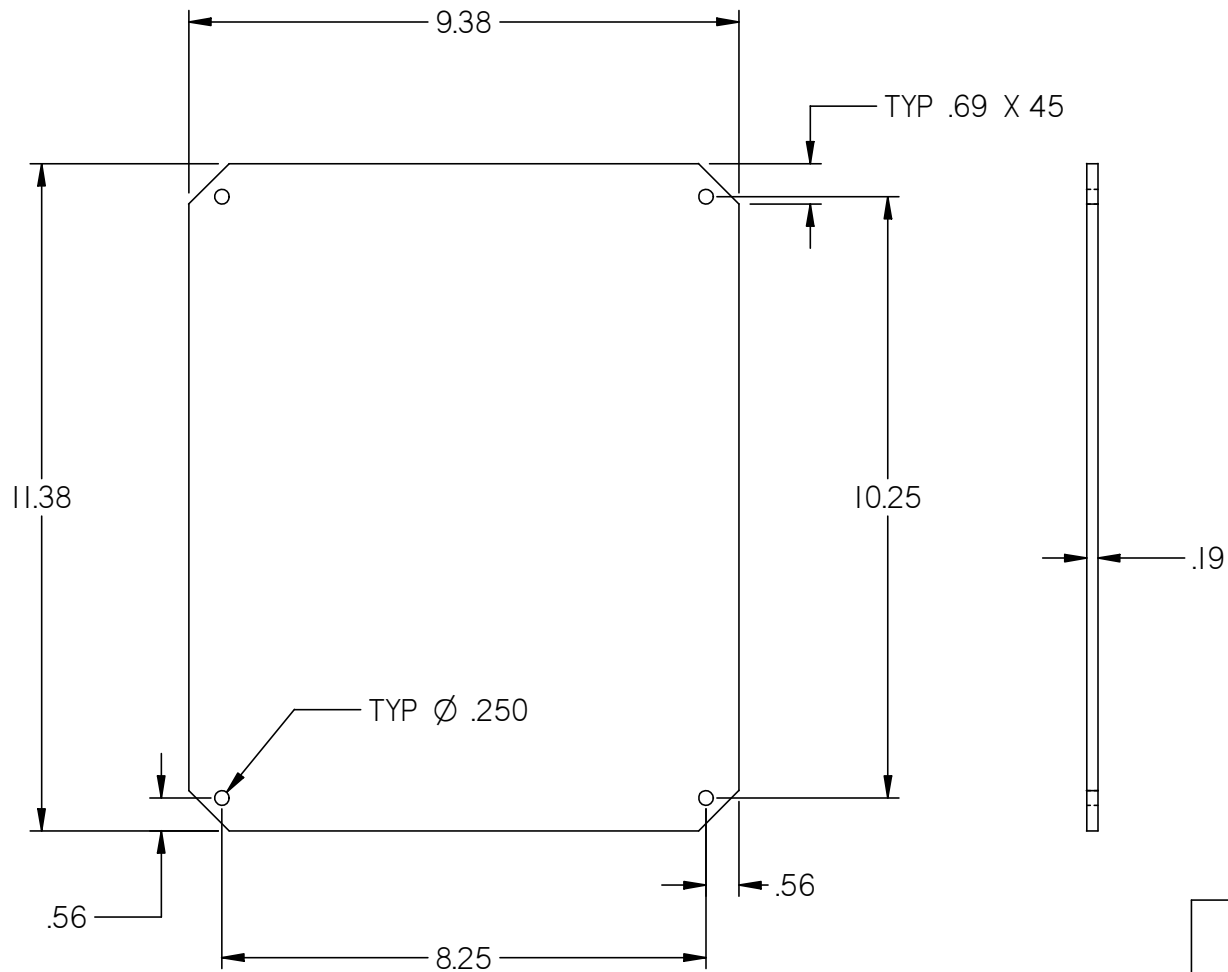
**ABP-8X8 PANEL**



# ENCLOSURE SOLUTIONS Inc.

2652 Eaton Road University Heights, OH 44118  
 216 789 3814 [www.enclosure-solutions.com](http://www.enclosure-solutions.com)

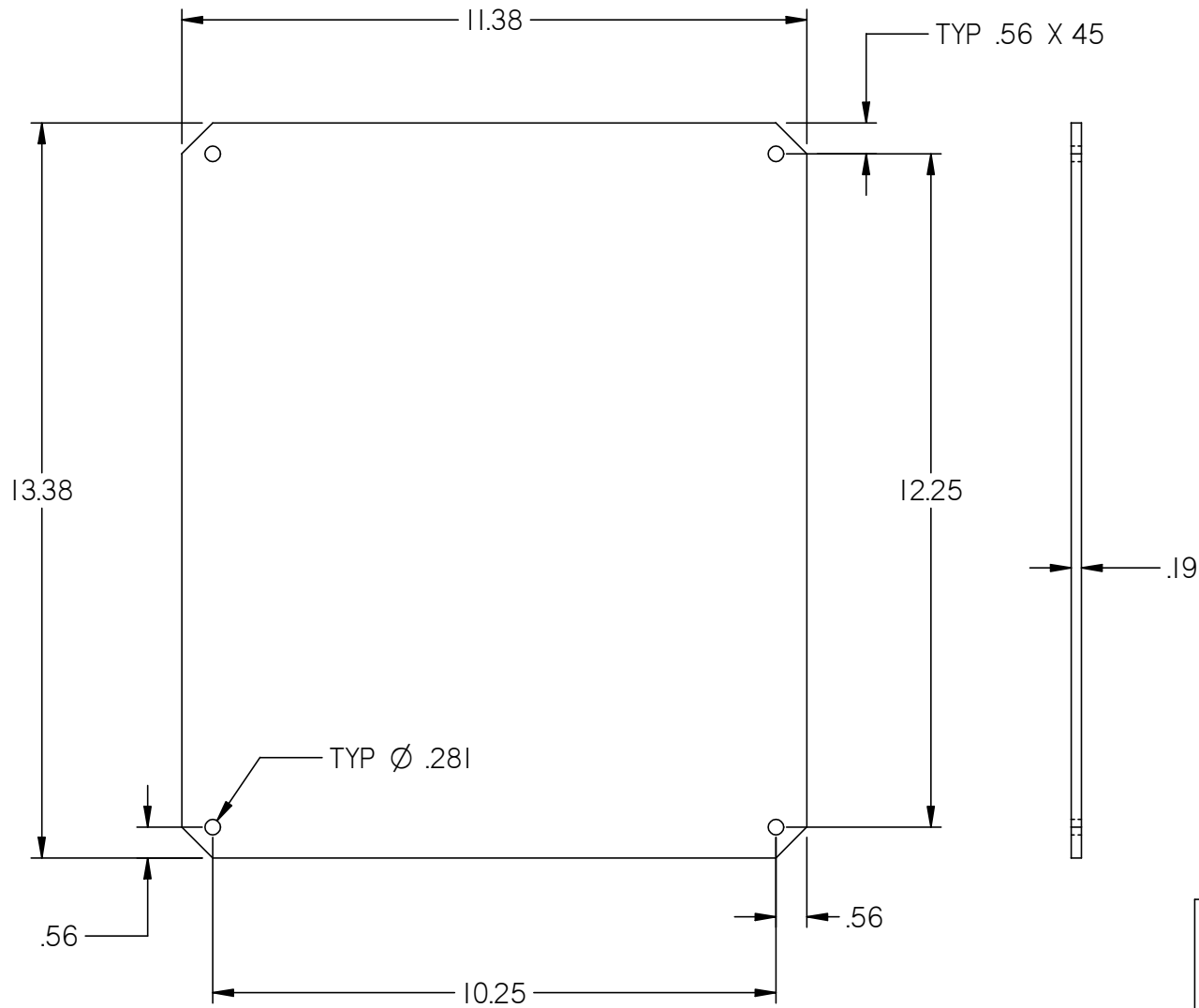
**ABP-1008**



**ENCLOSURE SOLUTIONS Inc.**  
 2652 Eaton Road University Heights, OH 44118  
 216 789 3814 [www.enclosure-solutions.com](http://www.enclosure-solutions.com)

---

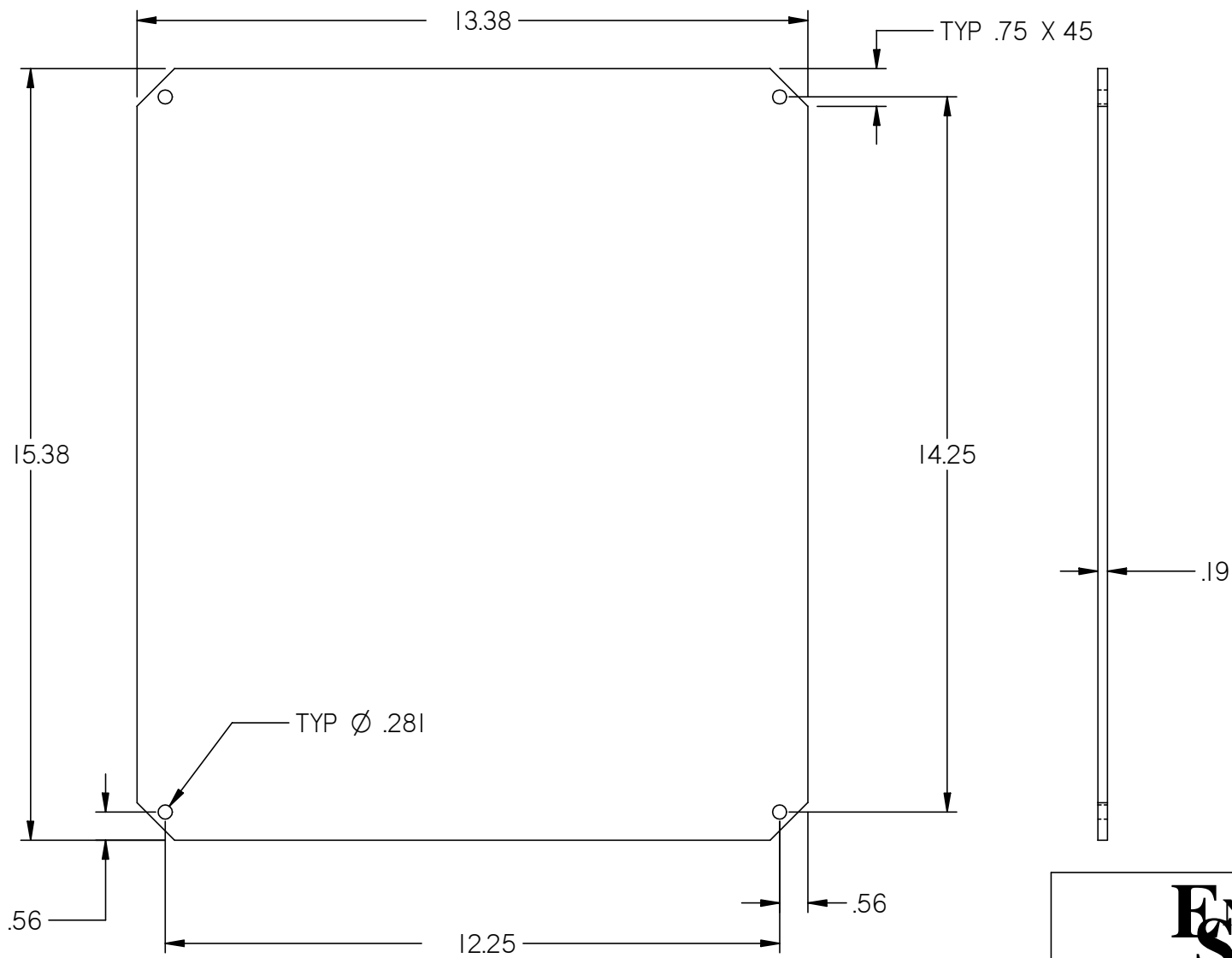
**ABP-12X10 PANEL**



**ENCLOSURE SOLUTIONS Inc.**  
 2652 Eaton Road University Heights, OH 44118  
 216 789 3814 [www.enclosure-solutions.com](http://www.enclosure-solutions.com)

---

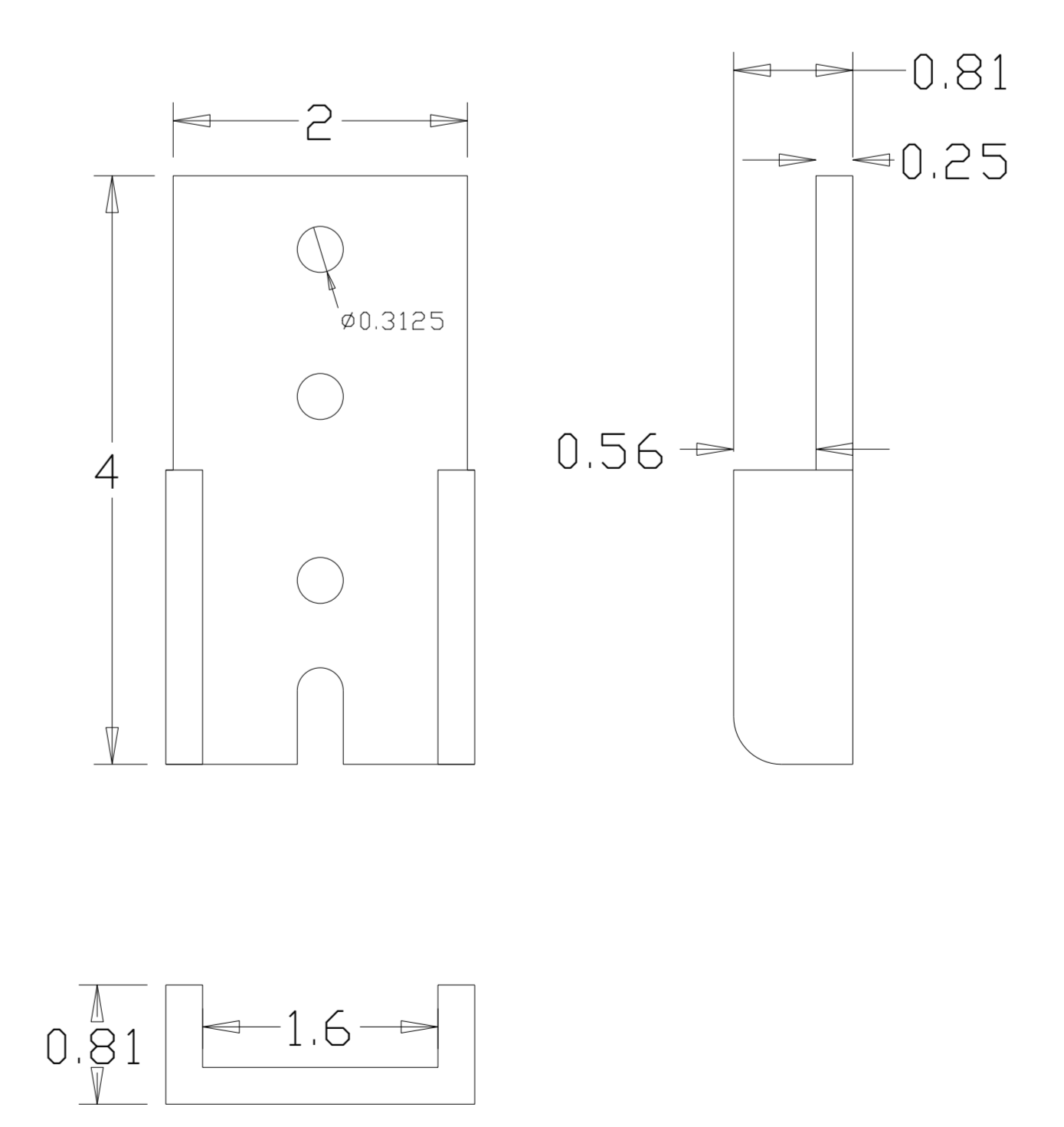
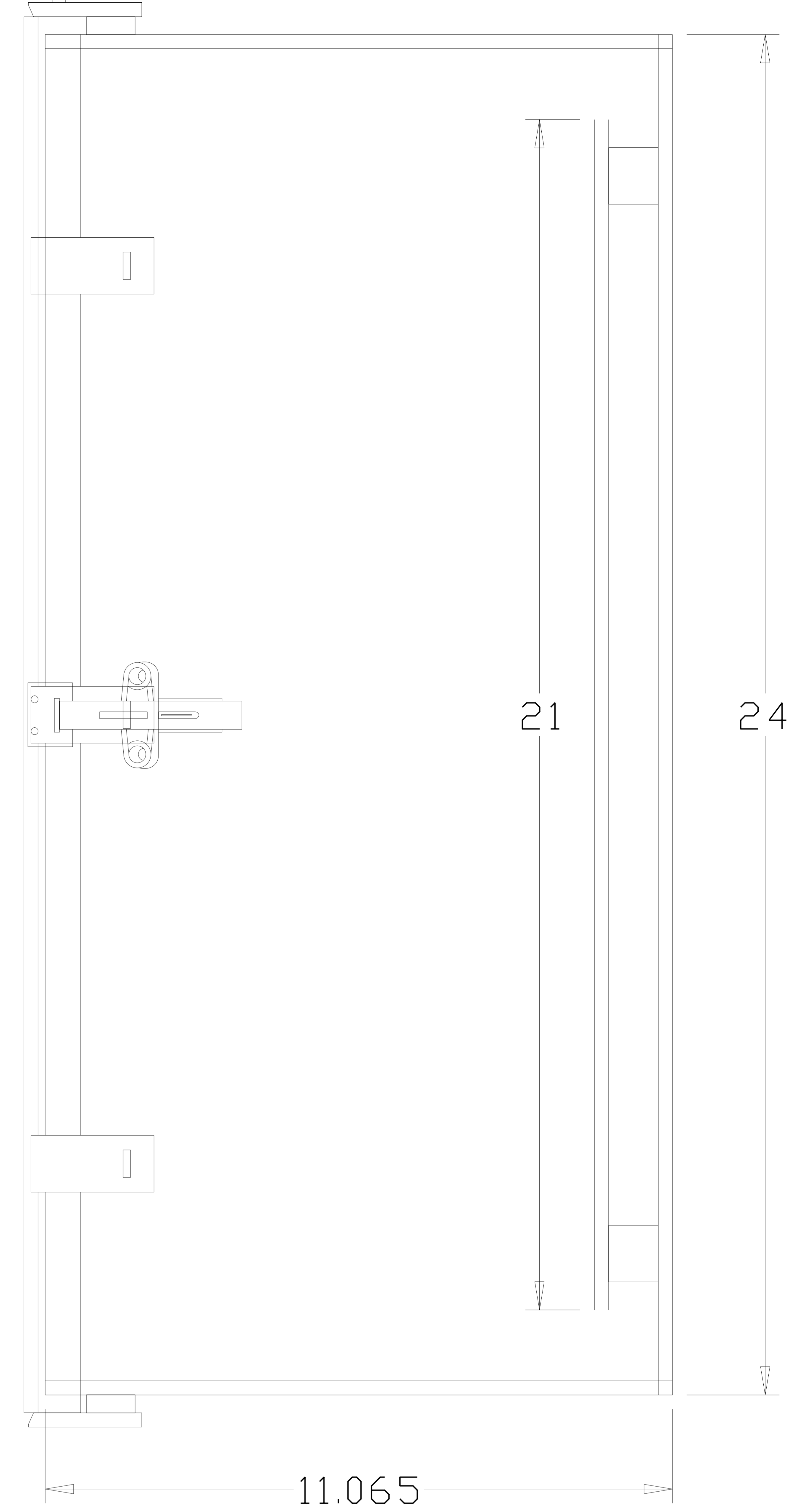
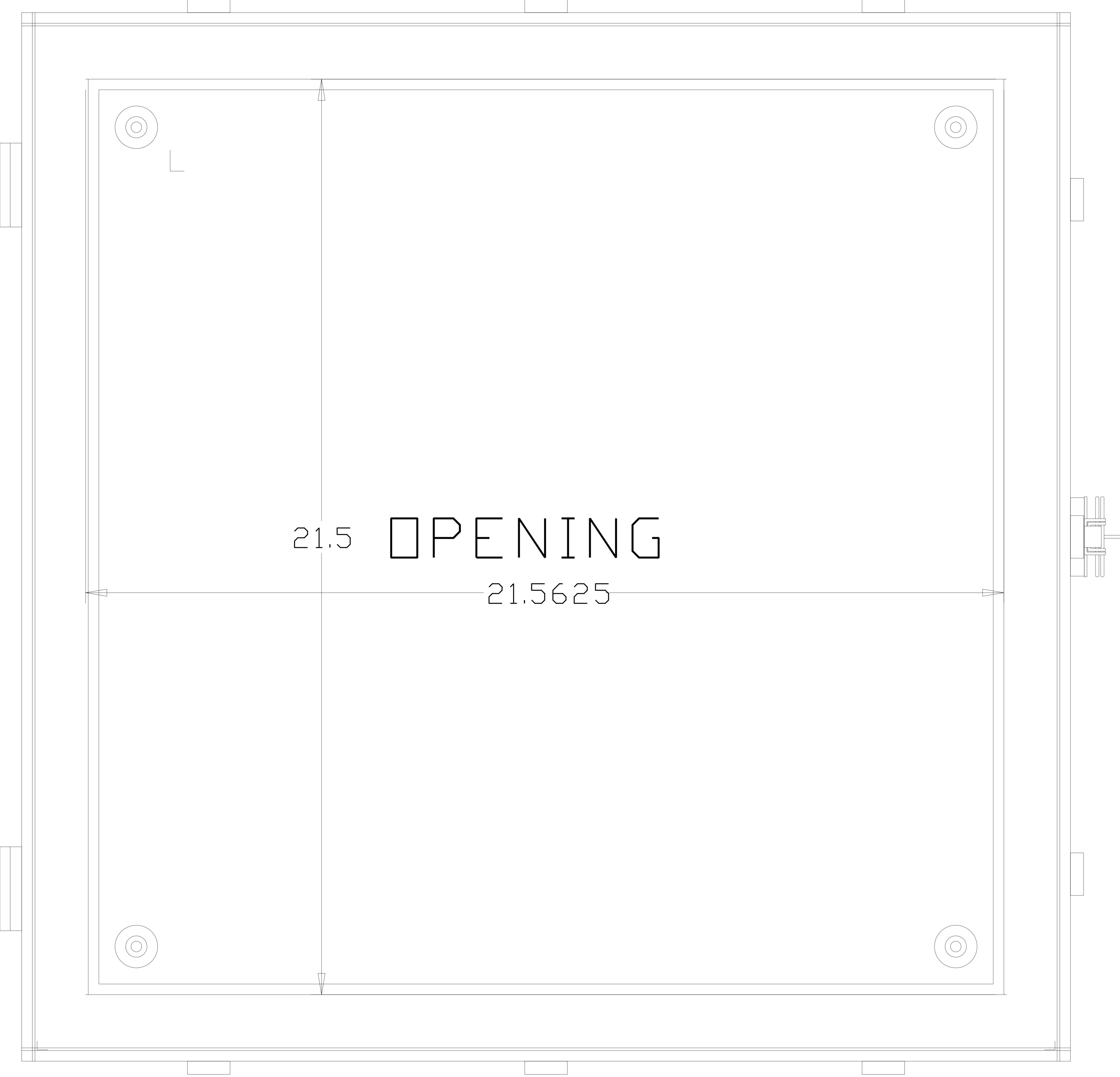
**ABP-14X12 PANEL**



**ENCLOSURE SOLUTIONS Inc.**  
 2652 Eaton Road University Heights, OH 44118  
 216 789 3814 [www.enclosure-solutions.com](http://www.enclosure-solutions.com)

---

**ABP-16X14 PANEL**





## PVC NEMA 4X SCREW COVER JUNCTION BOXES

PVC Nema 4X screw cover junction boxes are manufactured using 1/4" thick rigid PVC with welded construction. GASKETED LID

**Material is rated UL FLAME CLASS V-0**

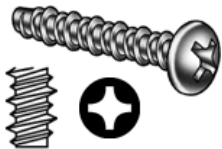
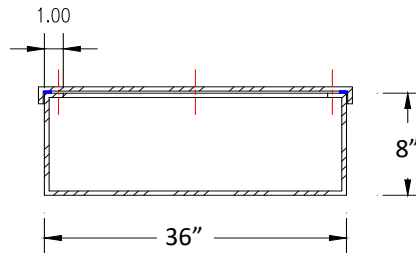
**Material UL FILE : E99333**



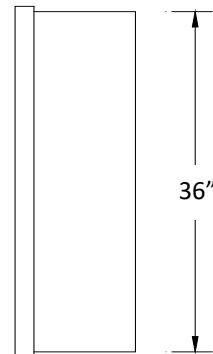
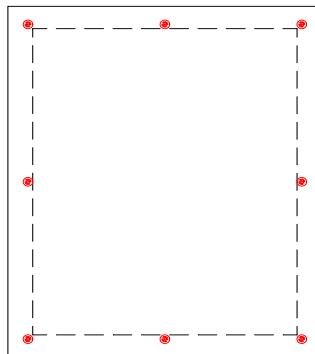
### NOTE:

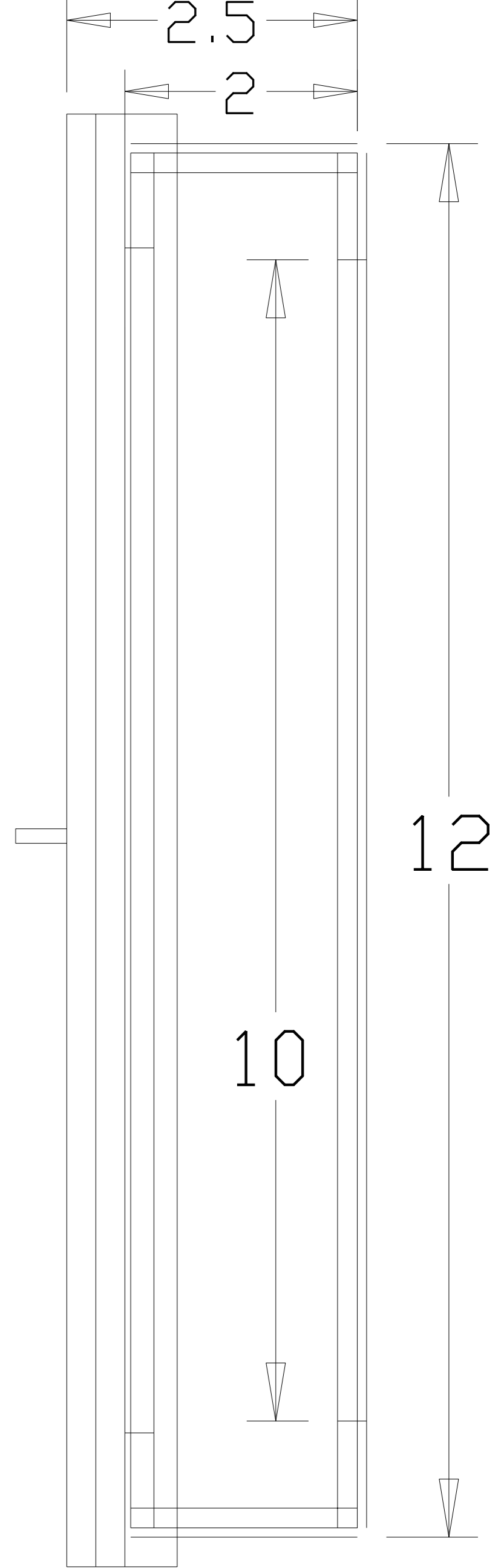
Product is not traffic rated, and not recommended for direct underground burial.

Catalog Number
ES363608

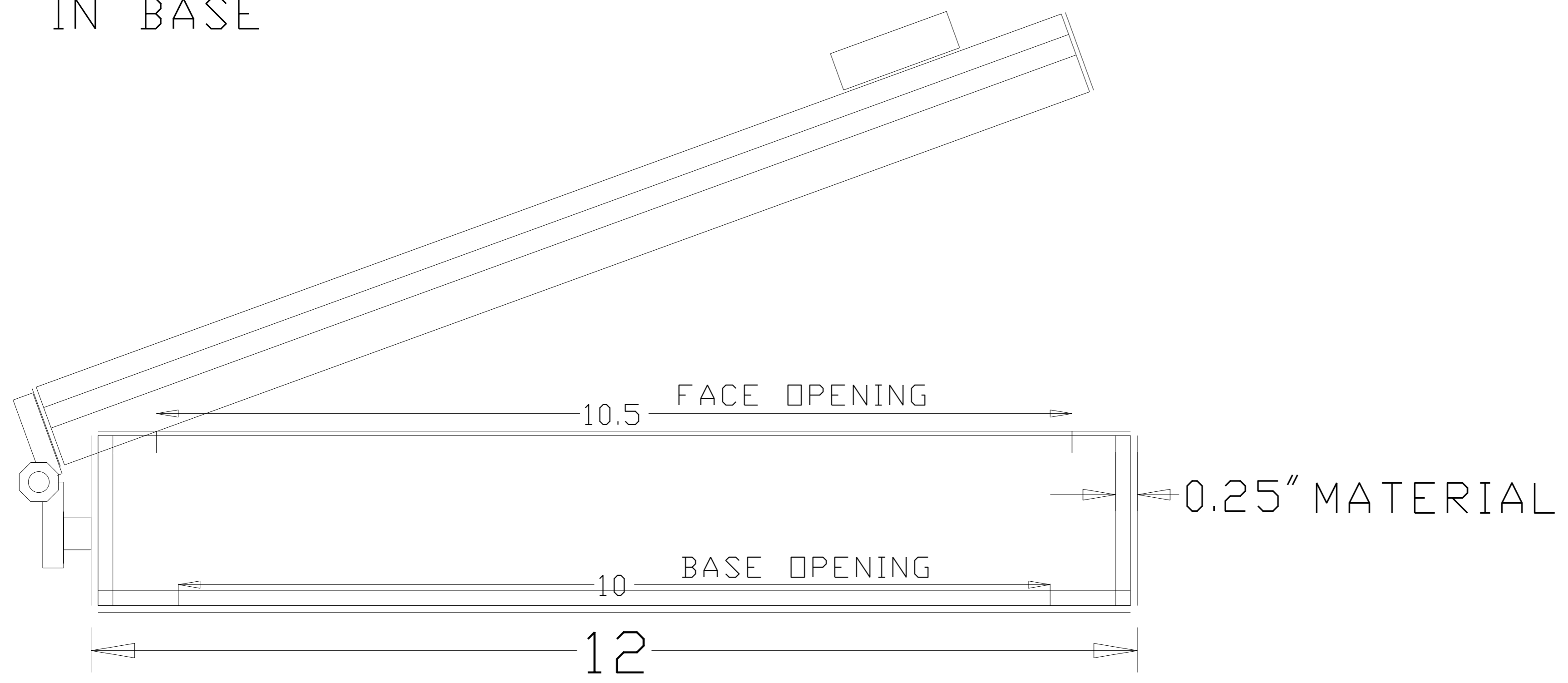


STAINLESS STEEL SELF  
TAPPING PLASTIC SCREWS  
ARE STANDARD.





MOUNTING HOLES  
IN BASE

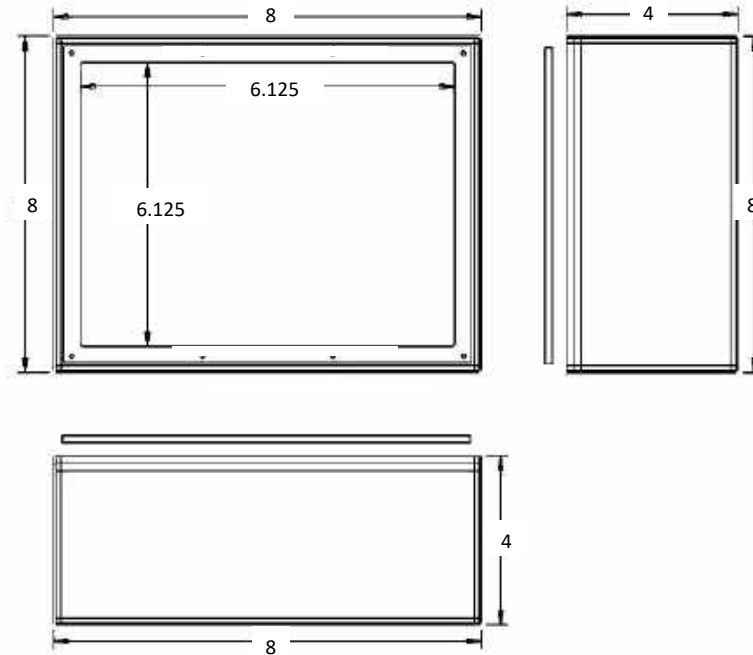


BASE OPENING

## FC080804 Recessed Cover PVC Junction Box

NEMA 3R/4X, Fully Gasketed Recessed Cover  
with Stainless Steel Type 304 Attachment Hardware

- \* Neoprene Gasket
- \* 0.25" Type 1 PVC Construction
- \* Grey



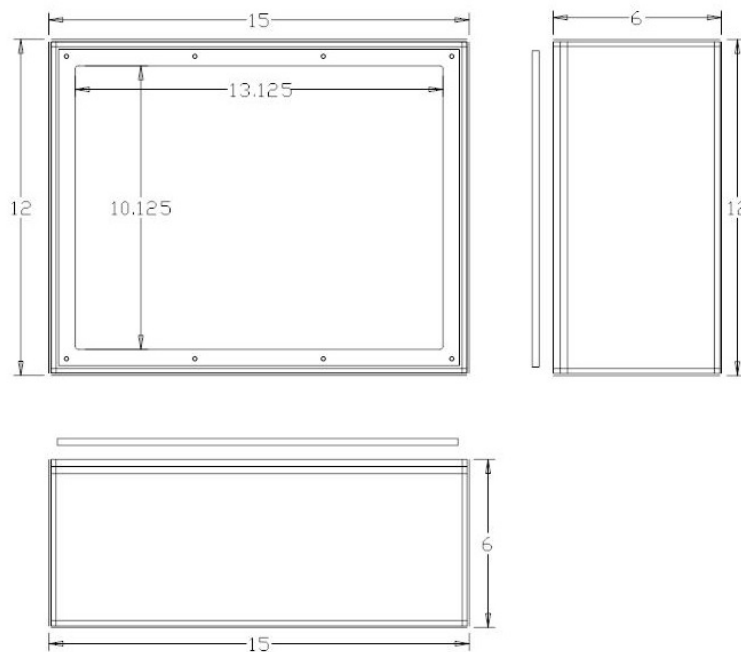
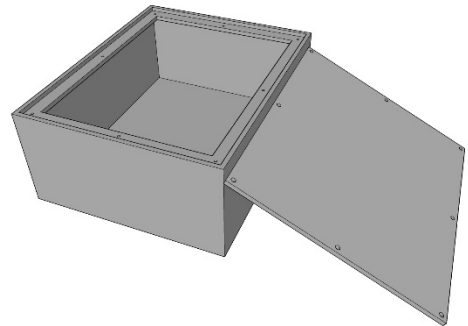
Enclosure Solutions, Inc.  
35000 Chardon Road, Suite 140  
Willoughby Hills, Ohio 44094  
[www.enclosure-solutions.com](http://www.enclosure-solutions.com)  
1-800-475-8308



## FC121506 Recessed Cover PVC Junction Box

NEMA 3R/4X, Fully Gasketed Recessed Cover with  
Stainless Steel Type 304 attachment hardware.

- Neoprene Gasket
- 0.25" Type 1 PVC Construction
- Grey



Enclosure Solutions, Inc.  
35000 Chardon Road, Suite 140  
Willoughby Hills, Ohio  
[www.enclosure-solutions.com](http://www.enclosure-solutions.com)  
1-800-475-8308



Enclosure Solutions, Inc.  
 PO Box 221128  
 Cleveland, Ohio 44122  
 1-440-525-5555  
 1-877-761-0960 (FAX)

Ingram Products, Inc.  
 1376 Twp. Road 743  
 Ashland, Ohio 44805  
 1-419-281-1444  
 1-419-281-0366(FAX)

## Credit Application

Account Name: \_\_\_\_\_ Parent Co. (If subsidiary): \_\_\_\_\_

Street Address of Business: \_\_\_\_\_ City/State/ZIP: \_\_\_\_\_

Business Phone: \_\_\_\_\_ Business FAX: \_\_\_\_\_

At present location since: \_\_\_\_\_ Type of Business: \_\_\_\_\_ OEM \_\_\_\_\_ Elect Wholesaler/Distributor  
 Other \_\_\_\_\_

In business since: \_\_\_\_\_ Type of Ownership: \_\_\_\_\_ Sole Owner \_\_\_\_\_ Partnership \_\_\_\_\_ LLC  
 \_\_\_\_\_ Corporation (State) \_\_\_\_\_

Name of Owner (principal): \_\_\_\_\_ Home Address: \_\_\_\_\_

Home City/State/Zip: \_\_\_\_\_ Home Phone Number: \_\_\_\_\_

Social Security No: \_\_\_\_\_ Fed I.D Number \_\_\_\_\_

Are you opening an account? \_\_\_\_\_ Yes \_\_\_\_\_ No DUNS #: \_\_\_\_\_

Annual Company Sales:\$ \_\_\_\_\_ Has your company ever filed for bankruptcy? \_\_\_\_\_ Yes \_\_\_\_\_ No

**Please provide three trade references and one bank reference:**

**Ref. #1** Name: \_\_\_\_\_ FAX: \_\_\_\_\_ Phone: \_\_\_\_\_

Contact Name: \_\_\_\_\_ E-mail Address: \_\_\_\_\_

**Ref. #2** Name: \_\_\_\_\_ FAX: \_\_\_\_\_ Phone: \_\_\_\_\_

Contact Name: \_\_\_\_\_ E-mail Address: \_\_\_\_\_

**Ref. #3** Name: \_\_\_\_\_ FAX: \_\_\_\_\_ Phone: \_\_\_\_\_

Contact Name: \_\_\_\_\_ E-mail Address: \_\_\_\_\_

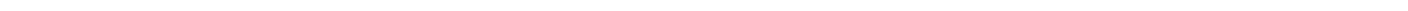
**Bank Ref:** Bank Name: \_\_\_\_\_ Account No: \_\_\_\_\_

Contact Name: \_\_\_\_\_ Phone: \_\_\_\_\_ FAX: \_\_\_\_\_

I agree that all the above information is correct, and I(we) authorize Enclosure Solutions, Inc. and/or Ingram Products, Inc. to make any credit inquiries necessary to qualify for Net 30 Payment Terms or to establish a credit limit with either company.

Signature: \_\_\_\_\_ Title: \_\_\_\_\_ Date: \_\_\_\_\_

Printed Name: \_\_\_\_\_



**Invoicing and Payment information**

1. All orders for product shall be transmitted to Enclosure Solutions, Inc. at the FAX number or e-mail provided. Orders are not valid until accepted by Enclosure Solutions, Inc.
2. Invoicing and remittance for PolyGuard Series products shall be by Ingram Products, Inc., 1376 Township Road 743, Ashland, Ohio 44805.
3. All other products will be invoiced and remitted to Enclosure Solutions, Inc., P.O. Box 221128, Cleveland, Ohio 44122. [www.enclosure-solutions.com](http://www.enclosure-solutions.com)

**Personal Guarantee**

As an inducement for Enclosure Solutions, Inc. (ESI) and/or Ingram Products, Inc. (Ingram) to sell products to the company requesting credit, listed above (hereinafter "Purchaser"), the undersigned agrees to guarantee the payment of all monies due ESI or Ingram until this guarantee has been rescinded in writing.

Also, the undersigned Guarantors agrees to pay any attorney fees and other costs incurred in the enforcement of the Guarantee. The obligations herein are independent of the obligations of the Purchaser.

I (we) authorize ESI and/or Ingram to make credit inquiries to banks or credit checking agencies.

Guarantor: \_\_\_\_\_ Date Signed: \_\_\_\_\_

Signature: \_\_\_\_\_

Printed Name: \_\_\_\_\_

SSN#: \_\_\_\_\_